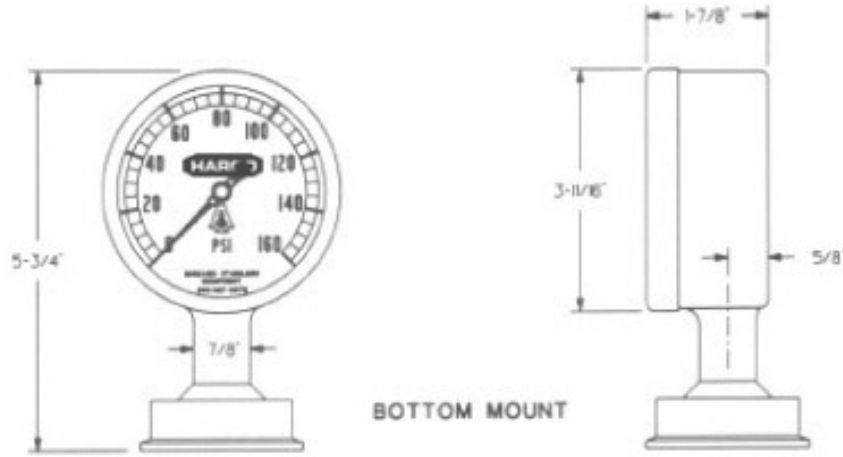
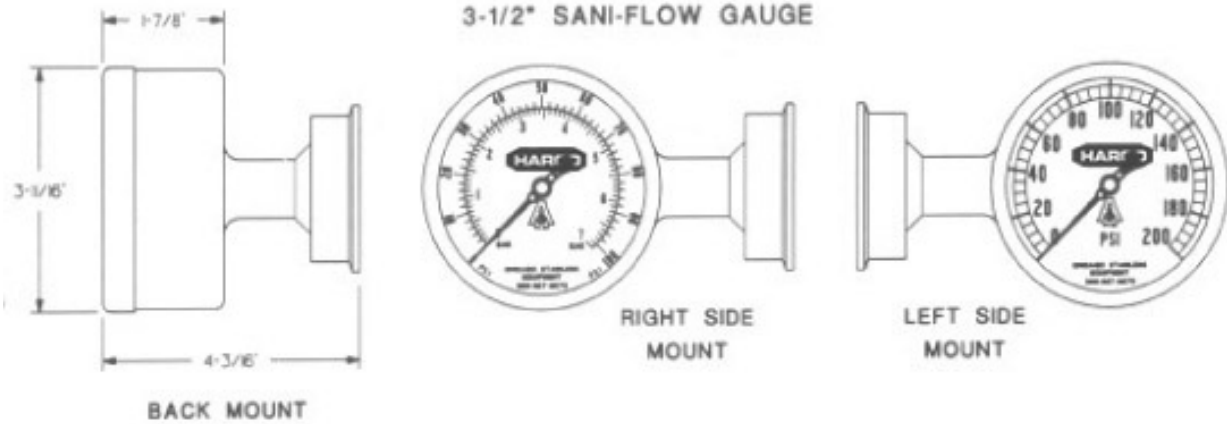


### Outline Drawing of 3 1/2" & 5" Sani-Flow Sanitary and Gauges



BOTTOM MOUNT

3-1/2" SANI-FLOW GAUGE

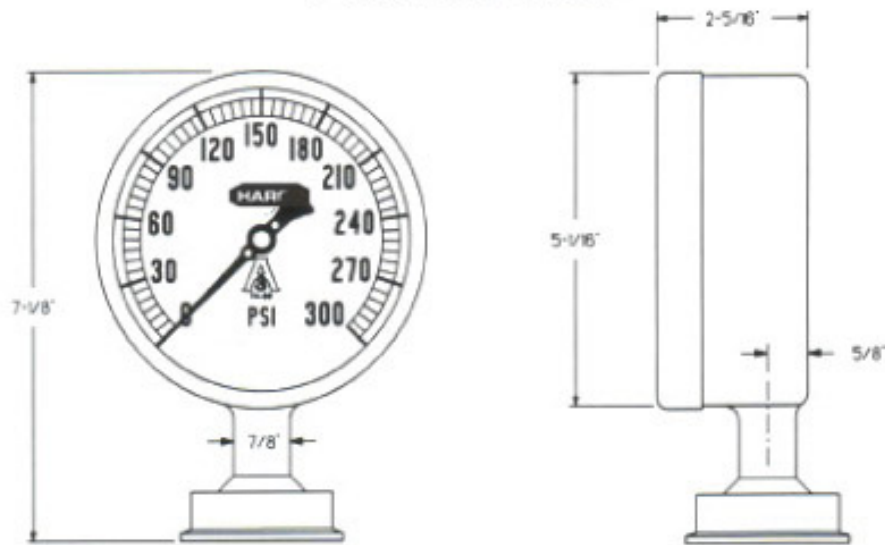


BACK MOUNT

RIGHT SIDE MOUNT

LEFT SIDE MOUNT

5" SANI-FLOW GAUGE



CHICAGO STAINLESS EQUIPMENT