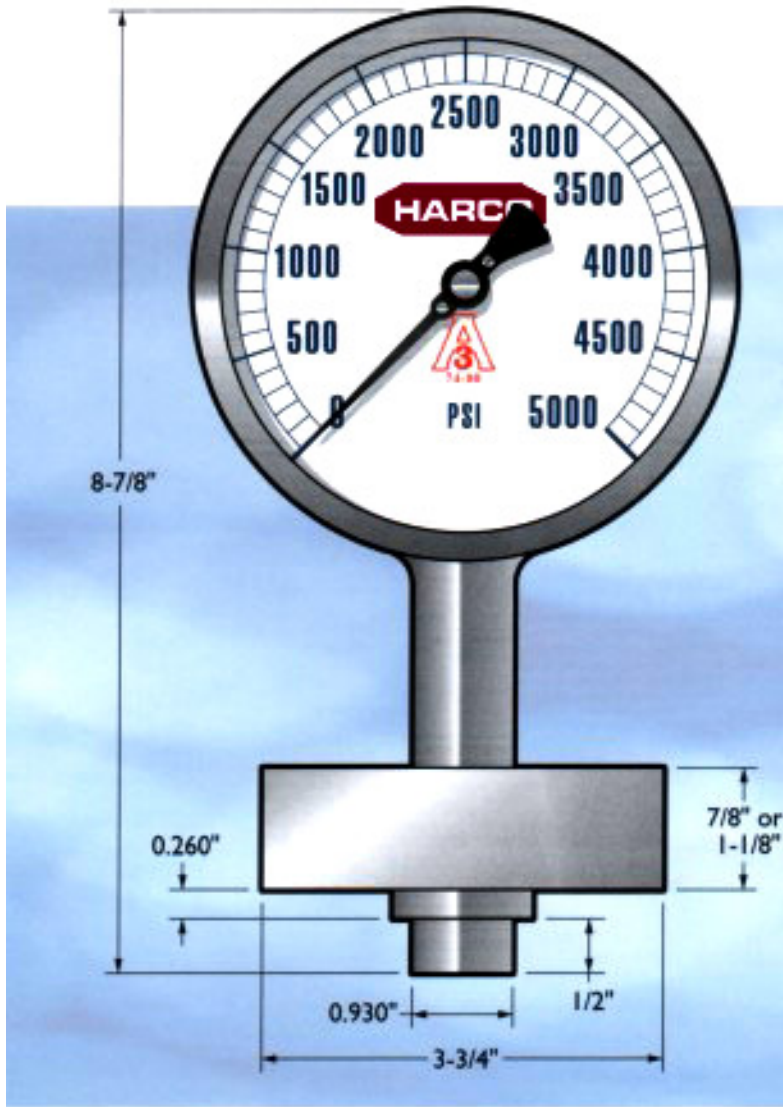


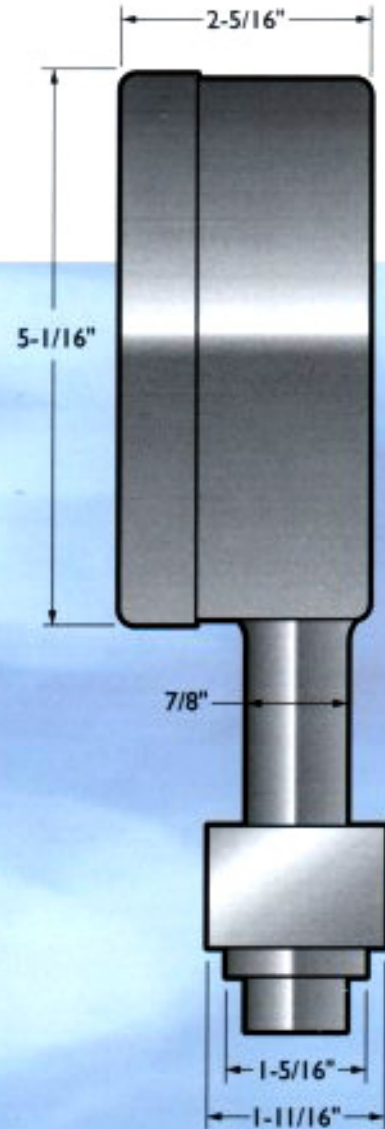
5" Homogenizer Pressure Gauges

FRONT VIEW

(shown with flange)



SIDE VIEW



TYPICAL DIAL FACES

