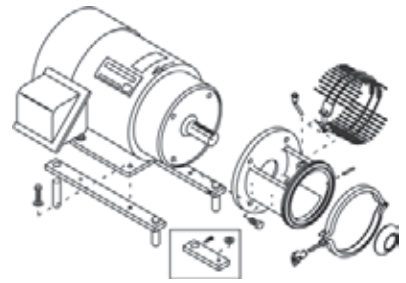


Tri-Clover



- Pumps
- Pump specification
- Centrifugal pump
- Pump Parts
- PR Pumps / part list
- Genuine Replacement Parts
- Valves



Since 1964

HARCO

ENTERPRISES LTD.

675 The Parkway
Peterborough, ON
K9J 7K2

1-800-361-5361
705-743-5361
Fax: 705-743-4312

www.harcosupply.com
sales@harco.on.ca

C/SP Series Centrifugal Pump

C Series and SP Series

Superior performance and easy cleanability in low-viscosity applications

C Series and SP Series centrifugal pumps are engineered to deliver dependable performance and easy maintenance in virtually any low-viscosity application – like those in the pharmaceutical, biotechnology, fine chemical, food, beverage and dairy processing industries, where full cleanability and corrosion resistance are paramount. Both the C Series (close-coupled) and SP Series (base-mounted) feature a practical, low maintenance design that delivers superior performance in a wide range of processes. Both handle viscous products at elevated GPM and pressure ratings. And both maintain favorable vacuum characteristics under a variety of pumping conditions.

Features and benefits

The SP Series offers a pedestal mount version of the C Series. In addition to the many benefits the C Series has to offer, the SP Series is able to accept different types of after market seals. SP Series pumps also maintain a divorcement from electrical and wet-end components.

Choice of application-matched seals

- Type D External-Balanced Seal
- Type DG Clamped-In Seal/Seat
- Type F External-Balanced, Water-Cascade Type Seal
- Type E Water-Cooled, Balanced Double Seal

C Series and SP Series pumps also accommodate a wide variety of commercially available seals. Ask your Alfa Laval distributor for complete details.

C Series features and benefits

Hydraulically balanced seal reduces pressure at sealing surface. That means less seal wear for longer life and less downtime. An easy-to-clean, open-type impeller delivers smoother pumping performance. Pump take down is fast and easy. No tools are required. Casing is secured with a quick-opening clamp; impellerised via a retainer pin.

SP Series features and benefits

The SP Series offers a pedestal mount version of the C Series. In addition to the many benefits the C Series has to, the SP Series is able to accept different types of aftermarket seals. SP Series pumps also maintain a divorce mentom electrical and wet-end components.

Materials

Fabricated Base (SP only)-

carbon steel	standard
stainless steel	optional

Bearing Frame (SP only)-

cast iron

(Adapter, Fabricated Base and Bearing Frame also protected by FDA-compliant epoxy paint system)

Pump Casing,

backplate, shaft and impeller.....stainless steel, 316 L.



C Series



SP Series on pedestal

Connections:

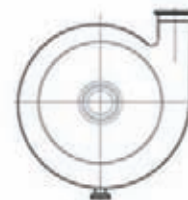
Tri-Clamp.....	standard
Bevel seat.....	option
NPT.....	option
Flanged.....	option
Weld.....	option

NOTE! Leg kits are available as a standard option.

Casing Drain Option

Standard: 90° outlet configuration	standard
45° outlet configuration	option

Drain connection comprising a ferrule welded to the low point of the casing connected to an elbow with Tri-Clamp connection capable of 360o rotation. Available in 1/2", 3/4" and 1" size.



90° outlet



45° outlet

C/SP Continued

Finish

Industrial.....glass bead ID & OD
 Standard Sanitary.....32 Ra ID & OD
 Special.....up to 10 Ra

Elastomers

Buna N.....standard
 EPDM.....optional
 Fluoroelastomer.....optional
 PTFE.....contact pump applications

Technical Data

Motor

Standard supply for C series is NEMA C-face, totally enclosed, fan cooled, locked bearing, close-coupled motors. Standard supply for SP series is NEMA, totally enclosed, fan cooled. Options are available for drip-proof, explosion proof, energy efficient and chemical enclosures.

Voltage and Frequency

3 phase-
 50Hz,220/380 VAC 1500/3000 RPM
 60Hz, 208-230/460 VAC 1750/3500 RPM
 60Hz,575 VAC 1750/3500 RPM

Shaft Seal

Type D- External Balanced Seal-- Well-suited for multipurpose use, this seal is designed to give long service life. Seal consists of a single mechanical seal, carbon rotary vs. stainless steel back plate. Typical applications include: dairy products, beverages and water-like products, etc. Also applicable for CIP cleaning solutions and detergents.

Type DG- Clamped- In Seal/Seal- This long lasting seal assembly utilizes standard Type D rotating seal components, plus choice of silicon carbide, tungsten carbide or ceramic stationary clamped in seal seat. Designed for longer seal life in applications like pure water or other applications with abrasive or non-lubricating products. The stationary seat is reversible, for quick change-over if one side is damaged.

Type E- Water Cooled Balanced Double Seal-- Seal chamber can be pressurized to contain coolants or sealants which can be piped directly to drain. Seal consists of a double mechanical seal, carbon rotary vs. stainless steel back plate and follower. Ideal for slurries, heavy duty vacuum applications (to 28" Hg), tacky products at temperature up to and exceeding 212 F.

Type F- External Balanced Seal with Water Cascade -- External balanced seal with water cascading attachment. Seal consists of a single mechanical seal with water flush, carbon rotary vs. stainless steel back plate. Recommended for pumping applications to 14" Hg (Seal is identical to type D, but equipped with water cascade).

Type A- Packing Gland Seal (non sanitary, SP Series only) -- Recommended for chemical processing applications or nonabrasive and non-congealing products. Also available with water flush (Type B). Seal consists of multiple layers of Teflon packing contained in a stainless steel stuffing box. A wide range of commercial packings are available.

Options

Equipment

-Bevel seat, flanged, NPT or weld connections
 -Enlarged inlet port size



45° Discharge
 K4H 1/2"
 K6H 3/4"
 K8H 1"



90° Discharge
 C4H 1/2"
 C6H 3/4"
 C8H 1"



45° Discharge
 K4V 1/2"
 K6V 3/4"
 K8V 1"



90° Discharge
 C4V 1/2"
 C6V 3/4"
 C8V 1"

C=90o Discharge H=Horizontal V=Vertical

- Grit blasted (industrial), 32Ra (sanitary), or higher finishes
- Casing Drain (216 and 218 only)
- John Crane double 9 seal (SP only)
- Mounting Base for SP Pump

Material Grades

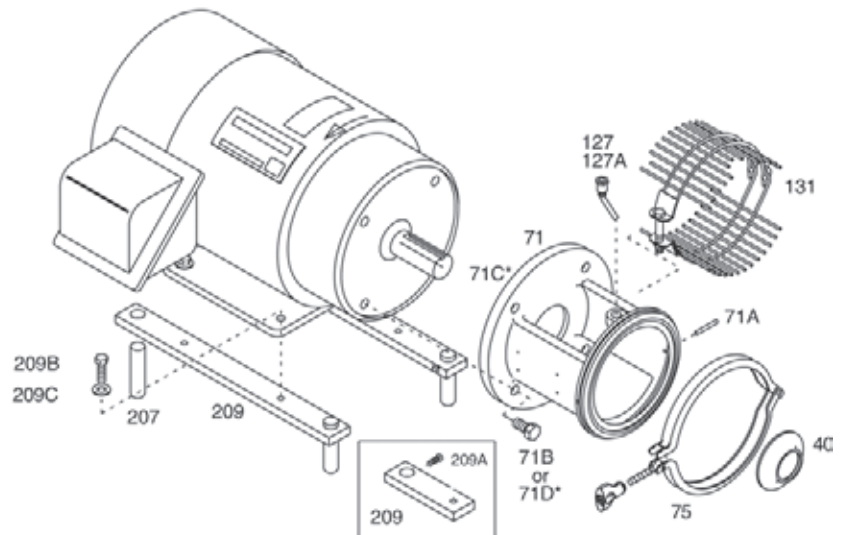
- Fluoroelastomer (SFY) or EPDM (E) elastomers
- Seal materials in Carbon or Silicon Carbide

Ordering

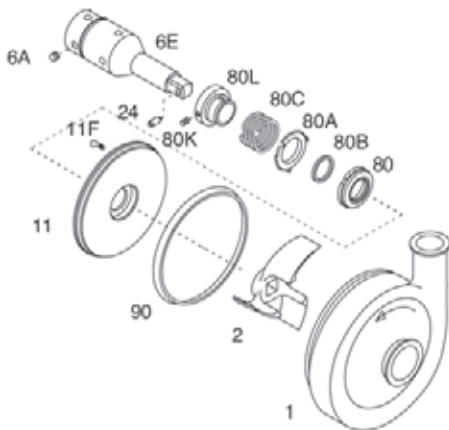
- Please state the following when ordering
- Product to be pumped
 - Density of product
 - Viscosity of product
 - Required flow rate (min, normal and max.)
 - Discharge pressure (closest to the pump outlet)
 - System suction conditions
 - Pumping temperature(s)
 - Cleaning temperature(s)
 - Port connection requirements if required
 - Seal types
 - Any other options required

For All C Series Pumps

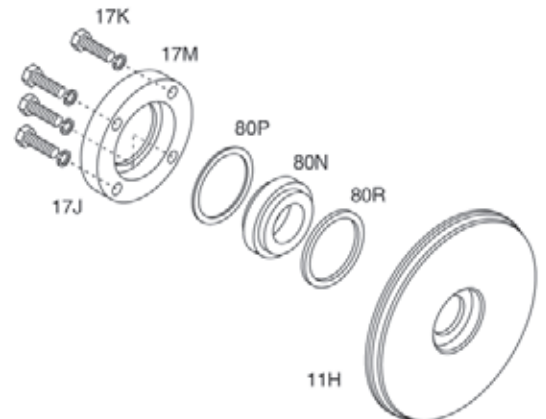
* Depending on type of frame, some older models C114 and 216 with type E seals require a special adapter #71C, and longer mounting screws, #71D.



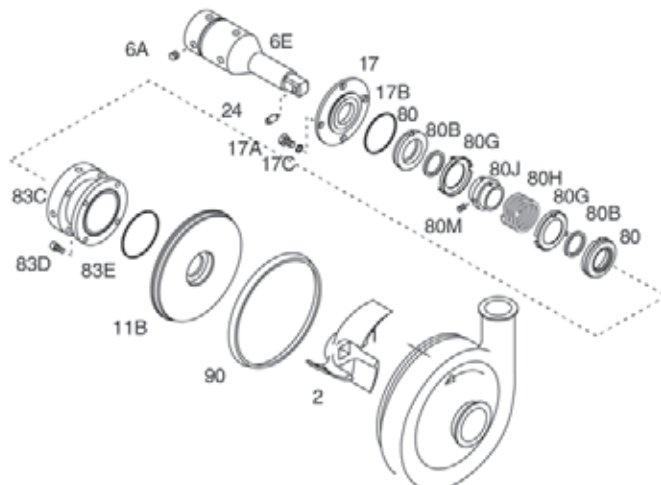
Floating Retainer with Type D or F External Balanced Seals



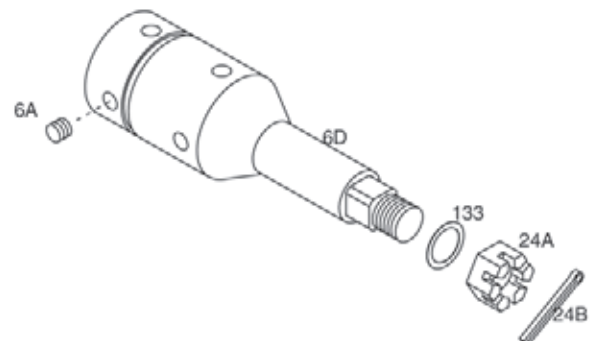
Additional Type "DG" Clamped-in Seal Seat Components (For use with type D seal)



Floating Retainer with Type E Water Cooled Balanced Double Seal



Threaded Shaft and Castellated Nut Retainer System for Use with Type D, F or E Seals



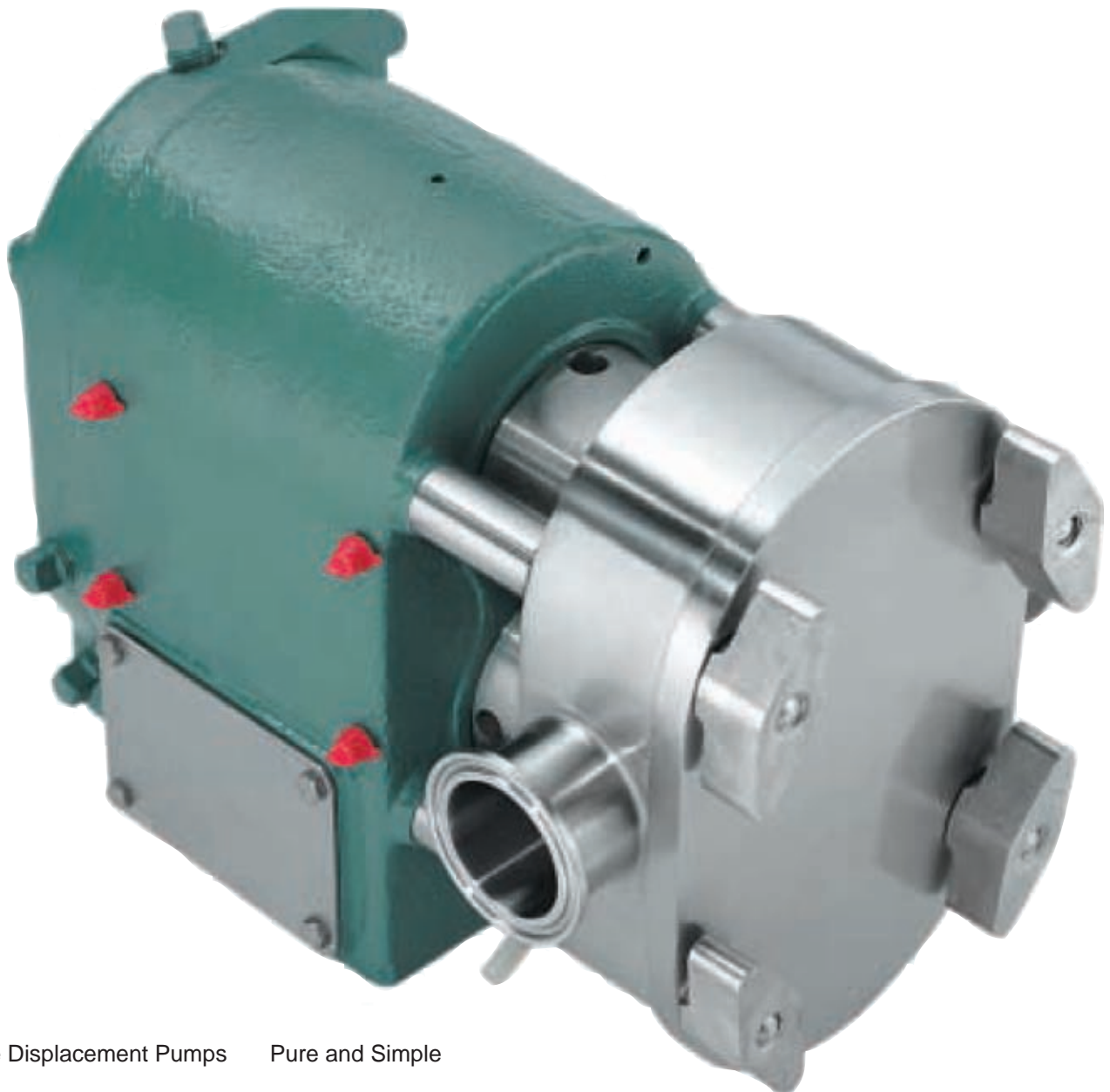
C-SERIES CLOSE COUPLED PUMP

Key No.	Description	C114	C216	C218	C328	C4410
		Part Number	Part Number	Part Number	Part Number	Part Number
1	Casing (Tri-Clamp) Sanitary	S114M-01C-316L	S216M-01C-316L	S218M-01D-316L	S328M-01C-316L	SP4410M-01A-316L
1	Casing (Bevel Seat) Sanitary	S114T-01C-316L	S216T-01C-316L	S218T-01D-316L	S328T-01C-316	SP4410T-01A-316
1	Casing (N.P.T.) Glass Beaded	S114S-01C-316L	S216S-01C-316L	S218S-01D-316L	S328S-01C-316	SP4410S-01A-316
1	Casing (Tri-Clamp) Glass Beaded	S114MI-01C-316L	S216MI-01C-316	S218MI-01D-316	S328MI-01C-316	SP4410MI-01A-316
1	Casing (Bevel Seat) Glass Beaded	S114TI-01C-316L	S216TI-01C-316	S218TI-01D-316	S328TI-01C-316	SP4410TI-01A-316
1	Casing (Flanged) Glass Beaded	S114F-01D-316L	S216F-01D-316L	S218F-01E-316L	S328F-01D-316L	SP4410F-01B-316
2	Impeller	S114-02C-316L	S216-02C-316L	S218-02C-316L	S328-02C-316	SP5410-02A-316
11	Backplate	114D-11-316	216D-11-316	328D-11-316	328D-11-316	4410D-11-316
11B	Backplate (E Balanced)	114E-11B-316	216E-11B-316	328E-11B-316	328E-11B-316	4410E-11-316
11F	Backplate Pin	216D-11-1-S	216D-11-1-S	216D-11-1-S	216D-11-1-S	SC1108D-M
11H	Backplate (DG Seat)	SP114G-11-316L	SP216G-11-316L	328G-11-316	328G-11-316	4410G-11-316
17	Follower	114E-17A-316	216E-17A-316	328E-17-316	328E-17-316	4410E-17-316
17A	Machine Screw	SC1106E-SS	SC1308H-SS	SC1308H-SS	SC1308H-SS	SC1308H-SS
17B	O-ring	17-106-U-25**	17-275-U	17-274-U	17-274-U	17-108-U-25**
17C	Lockwasher (DG Seat)	---	LWA1300-SS	LWA1300-SS	LWA1300-SS	LWA1300-SS
17J	Gland Ring (DG Seat)	SP114G-17-316L	SP216G-17-316L	SP328G-17-316L	SP328G-17-316L	4410-G-17-316L
17K	Bolt / Screw (DG Seat)	SC1110H-SS	SC1310H-SS	SC1311H-SS	SC1311H-SS	SC1311H-SS
17M	Lockwasher	LWA-1100-SS	LWA-1300-SS	LWA-1300-SS	LWA-1300-SS	LWA-1300-SS
24	Impeller Retainer	114D-24B-316L	216D-24B-316L	328D-24B-316L	328D-24B-316L	328D-24C-U
24A	Castellated Nut (Impeller)	SP114F-24-316	SP216F-24-316L	SP328F-24-316	SP328F-24-316	SP328F-24-316
24B	Cotter Pin (Impeller)	16-113- $\frac{1}{8}$ X1-316	16-113- $\frac{1}{8}$ X1-316	16-113- $\frac{1}{8}$ X1 $\frac{1}{2}$ -316	16-113- $\frac{1}{8}$ X2-316	16-113- $\frac{1}{8}$ X2-316
71A	Adapter Pin	216D-71A-1-S	216D-71A-1-S	216D-71A-1-S	216D-71A-1-S	SP5410-11A-1-S
75	Clamp Assembly Complete	S114-75AR-S	S216-75AR-S	S328-75AR-S	S328-75AR-S	SP4410-75D-S
75J	Eye Bolt	S114-75A-04-S	S114-75A-04-S	S114-75A-04-S	S114-75A-04-S	---
75K	Wing Nut	13MHHS-1 $\frac{1}{2}$ -03-S	13MHHS-1 $\frac{1}{2}$ -03-S	13MHHS-1 $\frac{1}{2}$ -03-S	13MHHS-1 $\frac{1}{2}$ -03-S	---
80	Carbon Seal	114E-80-1A	216E-80-1A	328E-80-1A	328E-80-1A	4410E-80-1
80A	Cup	114D-80-3P	216D-80-3P	328D-80-3P	328D-80-3P	4410D-80-3
80B	O-ring (Seal)	60C-3-34A-U	01-1165-19-U	S328-80-2-U	S328-80-2-U	17-15-U
80C	Spring	114D-80-4	216D-80-4	328D-80-4	328D-80-4	4410D-80-4
80G	Cup (E Balanced)	114E-80-3P	216E-80-3P	328E-80-3P	328E-80-3P	4410E-80-3
80H	Spring (E Balanced)	114E-80-4A	216E-80-4A	328E-80-4A	328E-80-4A	4410E-80-4

PR PUMPS

Proven performance and reliability plus an easy take down design.

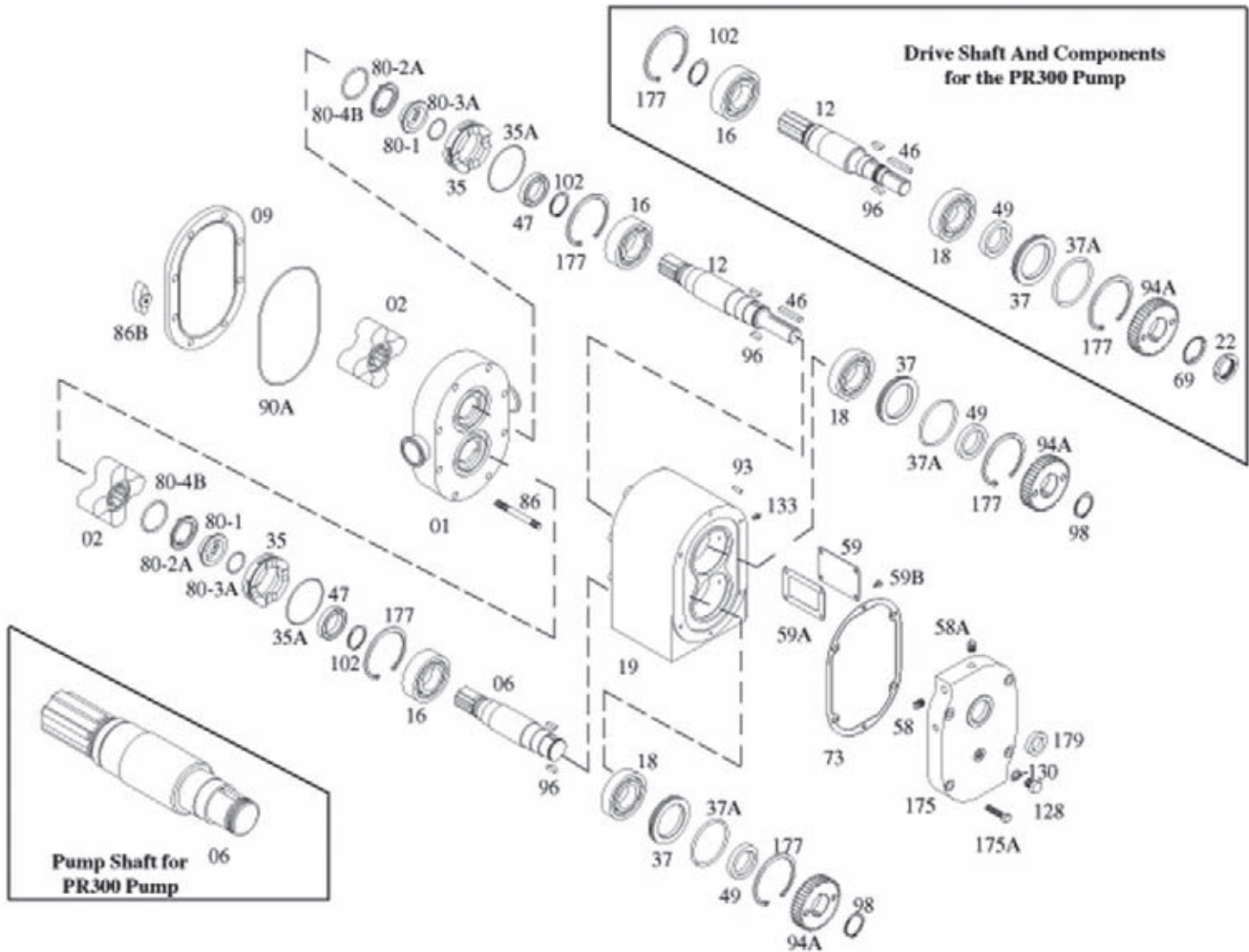
Field-proven PR Series positive displacement pumps are ideal for process applications requiring daily take down and re-assembly – like the fine chemical and food industries where cleanability and corrosion-resistance are extremely important. In fact, they can be disassembled and assembled faster than any other positive displacement pump on the market. That means less downtime on the process line and fewer hours wasted trying to piece together conventional pump components. The short engagement of ring to casing eliminates cocking, binding and hammering during re-assembly. Plus, the wide locating area of the ring permits repeated dis-assembles and assemblies without the need to replace rings or realign the pump head. The pump gearbox is constructed of high-quality cast iron for maximum strength and rigidity. The exterior is protected by a quality, FDA-compliant, epoxy paint system that with stands harsh conditions in corrosive environments. Heavy-duty roller bearing arrangements provide maximum strength for the main and auxiliary shafts, reducing axial loads and ensuring no rotor contact. With a wide range of frames, rotors, seals and porting connections, the PR pump provides a high degree of flexibility that enables you to match a specific pump to a specific application.



Positive Displacement Pumps Pure and Simple

PR Pump

Parts List



Parts List PR Pump

Key	Description	Model 3	Model 10	Model 25	Model 60
01	Casing, Threaded Ports 1" x 1"	R3-1-01-316	Not available	Not available	Not available
01	Casing, Tri-Clamp® Ports 1" x 1"	R3M-1-01-316	Not available	Not available	Not available
01	Casing, Threaded Ports 1½" x 1½"	Not available	R10-1½-01B-316	R25-1½-01B-316	Not available
01	Casing, Tri-Clamp Ports 1½" x 1½"	Not available	R10M-1½-01B-316	R25M-1½-01B-316	Not available
01	Casing, Threaded Ports 2" x 2"	Not available	Not available	Not available	R60-2-01B-316
01	Casing, Tri-Clamp Ports 2" x 2"	Not available	Not available	Not available	R60M-2-01B-316
01	Casing, Threaded Ports 2½" x 2½"	Not available	Not available	Not available	Not available
01	Casing, Tri-Clamp Ports 2½" x 2½"	Not available	Not available	Not available	Not available
01	Casing, Threaded Ports 3" x 3"	Not available	Not available	R25-3-01B-316	R60-3-01BF-316
01	Casing, Tri-Clamp Ports 3" x 3"	Not available	Not available	R25M-3-01B-316	R60M-301BF-316
01	Casing, Threaded Ports 4" x 4"	Not available	Not available	Not available	Not available
01	Casing, Tri-Clamp Ports 4" x 4"	Not available	Not available	Not available	Not available
01	Casing, Threaded Ports 6" x 6"	Not available	Not available	Not available	Not available
01	Casing, Tri-Clamp Ports 6" x 6"	Not available	Not available	Not available	Not available
02	Impeller 6 lobe Rubber (Buna N - Cold)	<i>See Ordering Impellers</i>	Not available	Not available	Not available
02	Impeller 6 lobe Rubber (Buna N - Hot)	<i>See Ordering Impellers</i>	Not available	Not available	Not available
02	Impeller 2 or 4 lobe Rubber (Buna N)	Not available	<i>See Ordering Impellers</i>	<i>See Ordering Impellers</i>	<i>See Ordering Impellers</i>
02	Impeller 2 or 4 lobe Tri-Clover Metal	Not available	<i>See Ordering Impellers</i>	<i>See Ordering Impellers</i>	<i>See Ordering Impellers</i>
06	Pump Shaft	R3-1-06-316	R10-1½-06-316	R25-1½-06-316	R60-2-06-316
08	Impeller Carbon	Not available	R10-1½-08	R25-1½-08	R60-2-08
09	Front Cover	R3-1-09-316	R10-1½-09-316	R25-1½-09-316	R60-2-09-316
12	Drive Shaft	R3-1-12-316	R10-1½-12-316	R25-1½-12-316	R60-2-12-316
16	Bearing - Inboard	R3-1-16	R10-1½-16	R25-1½-16	R60-2-18
18	Bearing - Outboard	R3-1-16	R10-1½-16	R25-1½-16	R60-2-18
19	Frame	R3-1-19-C	R10-1½-19-C	R25-1½-19-C	R60-2-19-C
22	Locknut	Not available	Not available	Not available	Not available
35	Alignment, Locating Ring	R3-1-A35-316L	R10-1½-A35-316L	R25-1½-A35-316L	R60-2-A35-316L
35A	Alignment Locating Ring O-Ring	R3-1-37A-U	R10-1½-35A-U	R25-1½-35A-U	R60-2-37A
37	Bearing Cover Outboard	R3-1-37-CS	R10-1½-37-CS	R25-1½-37-CS	R60-2-37-CS
	Model 125	01 Not available	35 R125-2½-A35-316L	Model 300	01 R300-6-B01B-316
01	Not available	01 Not available	35 A R60-2-37A	01 Not available	01 R300M-6-B01B-316
01	Not available	02 Not available	37 R60-2-37-CS	01 Not available	02 Not available
01	Not available	02 Not available		01 Not available	02 Not available
01	Not available	02 <i>See Ordering Impellers</i>		01 Not available	02 <i>See Ordering Impellers</i>
01	Not available	02 <i>See Ordering Impellers</i>		01 Not available	02 <i>See Ordering Impellers</i>
01	Not available	06 R125-2½-06-316		01 Not available	06 R300E-4-06-316
01	R125-2½-01B-316	08 R60-2-08		01 Not available	08 R300-4-08
01	R125M-2½-01B-316	09 R60-2-09-316		01 Not available	09 R300-4-09-316
01	R125-3-01B-316	12 R125-2½-12-316		01 Not available	12 R300-4-12-316
01	R125M-3-01B-316	16 R125-2½-18		01 Not available	16 R300-4-16
01	Not available	18 R60-2-18		01 R300-4-01B-316	18 R300-4-18
01	Not available	19 R60-2-19-C		01 R300M-4-01B-316	19 R300-4-19-C
		22 Not available			

PR Pump (cont.)

Key	Description	Model 3	Model 10	Model 25	Model 60	Model 125	Model 300
37A	Bearing Cover O-Ring	R3-1-37A-U	R10-1½-37A-U	R25-1½-37A-U	R60-2-37A	R60-2-37A	R300-4-37A-U
46	Coupling Key	R3-1-46	R10-1½-46	R25-1½-46	R60-2-46	R60-2-46	R300-4-46
47	Alignment Locating Ring Seal	R3-1-47	R10-1½-47	R25-1½-47	R60-2-47	R125-2½-47	R300-4-47
49	Bearing Cover Seal	R3-1-47	R10-1½-47	R10-1½-49	R60-2-47	R60-2-47	R300-4-49
58	Plug	MS-105-58	2EBH-105-58	2EBH-105-58	2EBH-105-58	2EBH-105-58	2EBH-105-58
58A	Vented Plug	MS-105-58A	2EBH-105-58A	2EBH-105-58A	2EBH-105-58A	2EBH-105-58A	2EBH-105-58A
59	Cleanout Hole Cover	R3-1-59-S	R25-1½-59-S	R25-1½-59-S	R60-2-59-S	R60-2-59-S	R60-2-59-S
59A	Cleanout Hole Gasket	R3-1-59A	R25-1½-59-A	R25-1½-59-A	R60-2-59A	R60-2-59A	R60-2-59A
59B	Cleanout Hole Screw	SC905H-SS	SC905H-SS	SC905H-SS	SC905H-SS	SC905H-SS	SC905H-SS
69	Lockwasher	Not available	Not available	Not available	Not available	Not available	R300-4-69
73	Gear Cover Gasket	R3-1-73	R10-1½-73	R25-1½-73	R60-2-73	R60-2-73	R300-4-73
80-1	Wear Ring	R3-1-80-1-S	R10-1½-80-1-S	R25-1½-80-1-S	R60-2-80-1-S	R60-2-80-1-S	R300-4-80-1-S
80-2	Seal Ring	R3-1-80-2	R10-1½-80-2A	R25-1½-80-2A	R60-2-80-2A	R60-2-80-2A	R300-4-80-2
80-3	Shaft O-Ring (Buna N)	R3-1-80-3A-U	R10-1½-80-3A-U	R25-1½-80-3A-U	R60-2-80-3A-U	R60-2-80-3A-U	R300-4-80-3A-U
80-4B	Casing O-Ring (Buna N)	R3-80-4A-U	R10-1½-80-4B-U	R25-1½-80-4B-U	R60-2-80-4B-U	R60-2-80-4B-U	R300-4-80-4B-U
86	Casing Stud	R3-1-86-S	R10-1½-86-S	R25-1½-86-S	R60-2-86-S	R125-2½-86S	R300-4-86-S
86B	Casing Nut	R3-1-86A-S	R25-1½-86B-S	R25-1½-86B-S	R60-2-86B-S	R60-2-86B-S	R300-4-86A-S
90A	Casing Cover O-Ring (Buna N)	R3-1-90B	R10-1½-90B	R25-1½-90B	R60-2-90B	R60-2-90B	R300-4-90B-U
93	Alignment Pin	R3-1-93	R25-1½-93	R25-1½-93	R60-2-93	R60-2-93	R60-2-93
94A	Timing Gear	R3-1-94A	R10-1½-94A	R25-1½-94A	R60-2-94A	R60-2-94A	R300-4-94A
96	Timing Gear Key	R3-1-96	R10-1½-96	R25-1½-96	R60-2-96	R60-2-96	R300-4-96
98	Gear Retainer Ring	R3-1-98	R10-1½-98	R25-1½-98	R60-2-98	R60-2-98	Not available
102	Bearing Retainer Ring	R3-1-102	R10-1½-102	R25-1½-102	R60-2-102	R125-2½-102	R300-4-102
128	Tachometer Plug with Gasket	R3-1-128	R10-1½-128	R3-1½-128	R3-1-128	R3-1-128	R3-1-128
133	Grease Fitting	R3-1½-133	R10-1½-133	R25-1½-133	R25-1½-133	R25-1½-133	R25-1½-133
175	Gear Cover	R3-1-175-C	R10-1½-175-C	R25-1½-175-C	R60-2-175-C	R60-2-175-C	R300-4-175-C
175A	Gear Cover Screw	SC912H-S	SC1113H-S	SC1316H-S	SC1519H-S	SC1519H-S	SC1520H-S
177	Shaft Retainer Ring	R3-1-177	R10-1½-177	R25-1½-177	R60-2-177	R60-2-177	R300-4-177
179	Gear Cover Seal	R3-1-179	R10-1½-179	R25-1½-179	R60-2-179	R60-2-179	R300-4-179



Proven, Dependable Performance

361 Seat Valve

PD 66362 US1 2001-10

Application

This air-operated seat valve features the positive action of a short-stroke actuator. The 361 valve is ideal for high volume, sanitary liquid processing applications. Its heavy-duty clamps and precision-molded bonnet gaskets ensure positive alignment under severe operating conditions. The 361 valve has a sanitary and flexible design allowing it to be used in a wide range of applications, e.g. as a stop valve with two or three ports or as divert valve with three to five ports.

Working principle

The valve is remote-controlled by means of compressed air. It has few and simple moveable parts which results in a very reliable valve.

Standard design

The 361 valve features an open yoke and visible valve stem coupler to meet the requirements of a Clean-In-Place valve. The valve stem design requires only a single o-ring. The o-ring and stem groove can be thoroughly cleaned and sanitized by oscillating the valve stem during the cleaning cycle. Other features include valve porting flush to the bottom surface of the valve body to ensure full drainage. The highly polished surface areas help eliminate the crevices and "blind" areas that can hide or trap bacteria.

Other valves in the same basic design:

- Air operated seat valve, type 761.
- Sanitary Remote controlled valve, type SRC.
- Aseptic Remote controlled valve, type ARC.
- Sanitary Manual valve, type SMO.
- Sanitary Manual regulating valve, type SMO-R.

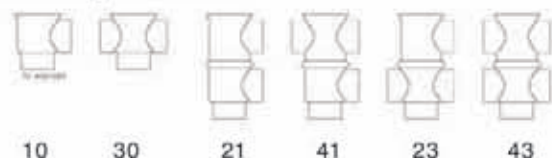
Actuator function

- Pneumatic downward movement, spring return (NO).
- Pneumatic upward movement, spring return (NC).
- Pneumatic upward and downward movement (A/A).
- Actuator for intermediate position of the valve plug as option

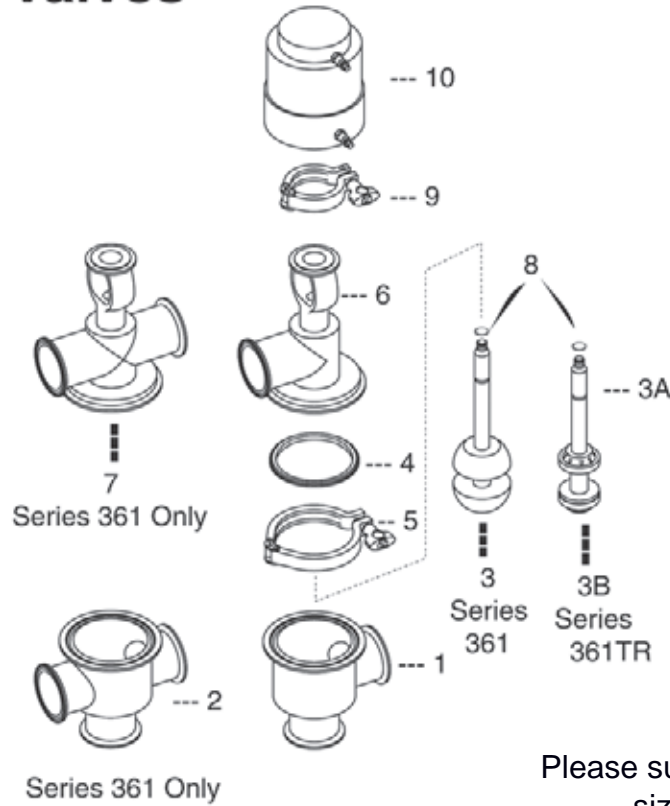


Fig. 1. 361 Divert valve with 21 body.

Valve body combinations

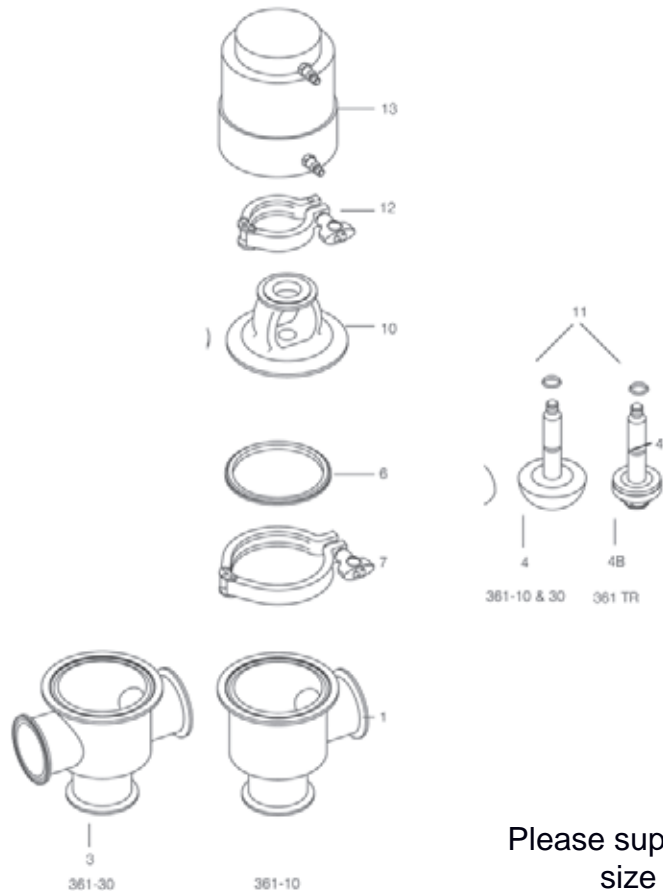


361/361 TR Divert Valves



Please supply model number, size and serial number.

361/361 TR Shut Valves



Please supply model number, size and serial number.



The Industry Standard

761/741 Seat Valve

Application

This air-operated seat valve features the positive action of either a short-stroke or long-stroke actuator. The 761/741 valve is ideal for high volume, sanitary liquid processing applications. Its heavy-duty construction and precision-molded bonnet gaskets ensure positive alignment under severe operating conditions. The 761/741 valve has a sanitary and flexible design allowing it to be used in a wide range of applications, e.g. as a stop valve with two or three ports or as divert valve with three to five ports.

Working principle

The valve is remote-controlled by means of compressed air. It has few and simple moveable parts which results in a very reliable valve.

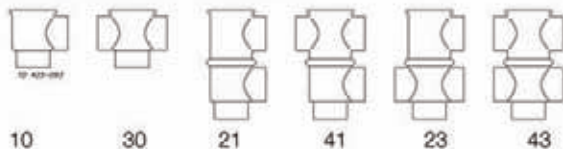
Standard Design

The 761/741 Series valves are designed to deliver years of reliable performance. Rugged and long-lasting plastic stem bushings eliminate metal-to-metal galling. The stems are threaded to the actuator shaft, eliminating the coupling between the stem and the actuator, thereby ensuring proper alignment. The valve stem design requires only a single o-ring seal. And bushings at each end of the actuator cylinder support stem also ensure perfect alignment. The 761/741 series features a heavy-duty bonnet and body ferrule design that will stand up to years of pounding from hydraulic shock. Standard 32Ra finish on the ID (unpolished OD option available for the 741 model).

Other valves in the same basic design:


- Air operated seat valve, type 361
- Sanitary Remote controlled valve, type SRC
- Aseptic Remote controlled valve, type ARC
- Sanitary Long Stroke valve, type SRC-LS
- Sanitary Manual valve, type SMO
- Sanitary Manual valve, type SRC-BC
- Sanitary Manual valve, type SMO-R, SMO-RA

Valve body combinations

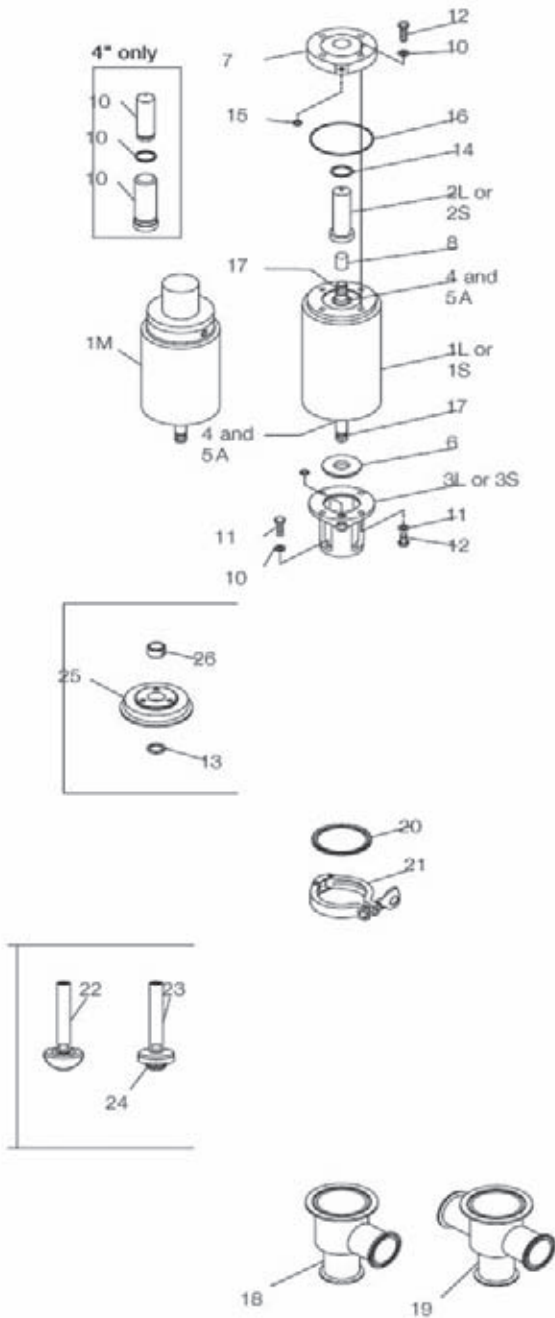


761 Seat valve with 10 body.

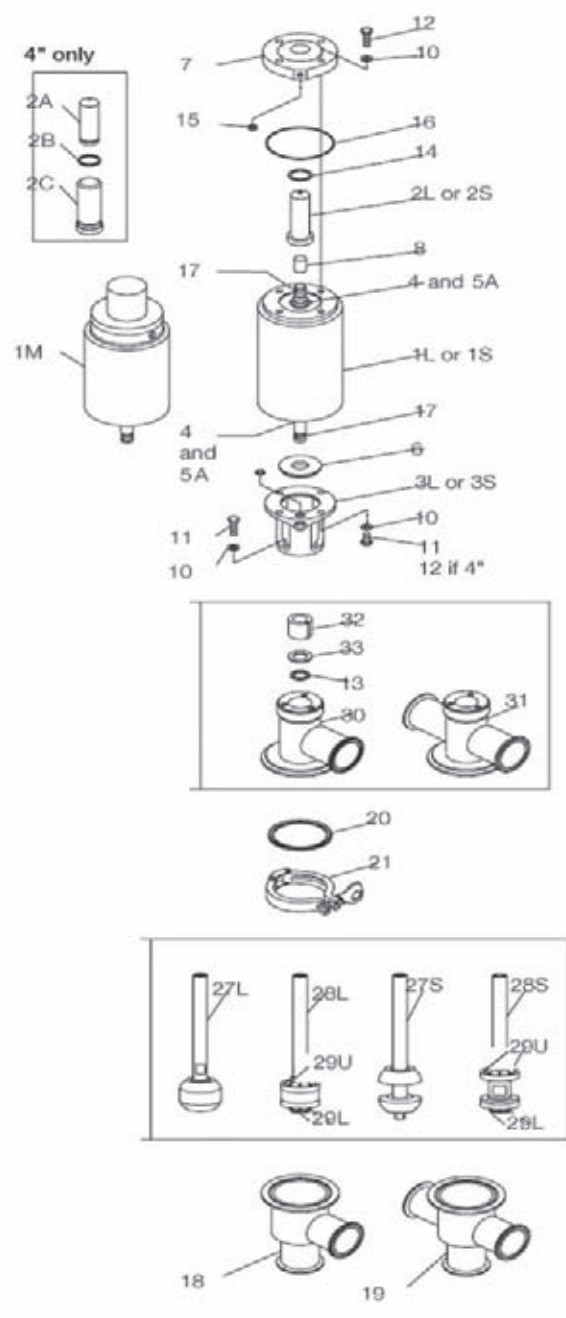
3.1.206

 Authorized to carry the 3A symbol

761/761TR Shut Off Valve



761/761TR Divert Valve



Please supply model number, size and serial number.

Tri-Clover

Genuine Replacement Parts

When replacing parts in Tri-Clover pumps or valves, it's simple to save money — and headaches. Just ask for genuine Tri-Clover parts. Only they guarantee performance equal to the original parts in your Tri-Clover equipment. Settle for less and you risk compromising your process and product with parts that fail to meet uncompromising standards.

Savings & Peace of Mind

Tri-Clover parts are engineered to fit and perform precisely as promised. Replacement is simplified, and costs associated with downtime are minimized. Your process continues to operate at the highest levels of efficiency and quality.

Superior Materials & Workmanship

Strict adherence to materials composition and dimensional tolerances, plus unsurpassed process knowledge, ensures each part performs to standards dictated by your process needs. With genuine Tri-Clover parts and the backing of Harco Enterprises, your equipment will perform as promised day after day, year after year. Just look for the Genuine Tri-Clover Parts™ packaging.

For more information, please call toll free and allow us to offer a prompt, competitive quotation.

Order Desk: 1-800-361-5361

Fax: 1-705-743-4312

