

DISTRIBUTED BY



ENTERPRISES LTD.

1-800-361-5361

Alfa Laval Bottom mounted agitators Type ALB

Efficient Mixing and Agitation

Applications

Application	Typical examples
Maintain media homogeneous	Milk storage tanks, mixed product tanks, UHT storage tanks etc.
Mixing and Solutions (dissolves)	Fluid and fluid mixing, i.e. drinking yoghurt and fruit mix tanks, flavoured milk mix tanks, syrup mix tanks, etc.
Solid Dispersion	Powder + fluid mix tanks, etc.
Suspension	Fluids with particles, i.e. juice tanks
Heat transmission	Circulation of media in tanks with dimple jacket (cooling or heating)



TECHNICAL DATA

Motor

Motor size and speed as required for duty.
As standard with IEC motor IP55, other types on request.
As standard painted RAL5010.

Voltage and frequency

As standard for 3x380 to 420V, 50Hz - 3x440V to 480V, 60Hz.
All motor voltages and frequencies are available.

Gears

Different gear types available according to configuration.
As standard filled with normal synthetic or mineral oil, optional: Food approved oil. As standard painted RAL5010.

ATEX - option

Agitators can be delivered approved for use in an ATEX environment with declaration of conformity.

Ordering

The following information is required to ensure correct sizing and configuration for ordering:

- Tank geometry
- Product properties
- Task of agitator
- Enquiry forms are available



PHYSICAL DATA

Materials

List the range of materials available for wetted parts:

Steel parts: AISI 316L (standard)
Other materials on request.

Seal rubber parts
(o-rings or bellows): EPDM
FPM/FEP (only for stationary O-rings)
FPM
Other materials on request.

Specific selection of materials will depend on the actual configuration selected.

Material certificate - option

3.1 Material certificates/FDA conformity statement according to 21 CFR177 on steel/elastomer parts in contact with media

Dimensions

Standard propeller diameter range: \varnothing 125 mm to 1900 mm.
Specific dimensions on the drive unit and propeller(s) will depend on the actual configuration selected.

Standard design

The Alfa Laval range of bottom mounted propeller agitators is designed to meet almost every customer requirement. Due to their modular build the agitators can be designed for every type of application with the hygienic industry. The modular construction is designed with the aim to meet both European and American standards and regulations, such as EHEDG, USDA, FDA, 3A etc.

Configurable design

Type ALB agitator design is fully configurable divided in the following elements:

- Drives (drive + shaft support + shaft diameter)
- Seal arrangements (oil trap + shaft seal type)
- Shaft (length)
- Energy Saving Foils (propeller type + surface finish)
- Options

Each element has a broad range of different characteristics which makes it possible to size the agitator for all applications and requirements.

Advantageous and profitable design

Each configuration offers a number of advantages, which are shown in the examples below:

Operation features	Due to
Low energy consumption	the wide range of high efficiency propellers and drive units makes it possible to design for low operational costs
Gentle product treatment	the wide range of high efficiency propellers makes it possible to design for low shear operation

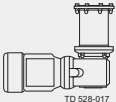

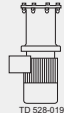
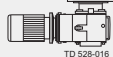
Hygienic features	Due to
Easy external cleaning	stainless steel bearing frame design with seal O-rings (for washing)
Connections inside the tank (risk zones) can be minimised	bearing frame drives with drive shaft and special internal shaft connection without having a flange coupling inside the tank
Good drip off properties	no plane surfaces or grooves on internal parts
Easy cleaning	no interior shadow sides between the blades and smooth surfaces

Maintenance features	Due to
All service (replacement of wearing parts such as shaft seals, bearings etc.) can be done from outside the tank	bearing frame drives with detachable shaft which can be dismantled from outside the tank
Easy dismantling	use of spider type coupling and stainless steel parts

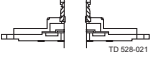
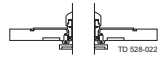
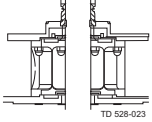
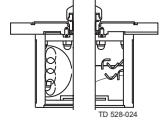
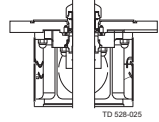
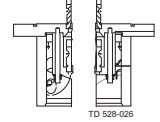
Type ALB


Configuration

Bottom mounted agitators




Drives				
Bearing frame size = xx				
Shaft diameter = yy (not used if xx = yy)				
Description	-ME-GR-Bxx(yy)	-ME-GC-Bxx(yy)	-ME-Bxx(yy)	-ME-GR-yy
(power, speed and shaft diameter depending on application)	Right angle gearbox, shaft mounted in hollow shaft of gearbox	Stainless steel bearing frame and coaxial gearbox	Stainless steel bearing frame and direct motor drive	Right angle gearbox, shaft mounted in hollow shaft of gearbox




Seal arrangements

						
	F-S1-	F-S2-	LF-S1-	LF-S2-	LF-D-	LF-DT-
Description	Seal flange with O-ring seal against tank flange, drain, fluid trap and shaft seal: single mechanical bellow seal	Seal flange with O-ring seal against tank flange, drain, fluid trap and shaft seal: single mechanical non-bellow seal	Lantern (spacer), seal flange with O-ring seal against tank flange, drain, fluid trap and shaft seal: single mechanical bellow seal	Lantern (spacer), seal flange with O-ring seal against tank flange, drain, fluid trap and shaft seal: single mechanical non-bellow seal	Lantern (spacer), seal flange with O-ring seal against tank flange, drain, fluid trap and shaft seal: double mechanical seal for high pressure applications and aseptic use	Lantern (spacer), seal flange with O-ring seal against tank flange, drain, fluid trap and shaft seal: double mechanical seal (tandem) for low pressure applications

Shaft	
Length = llll	
Description	-Slll-
(material depending on application)	SS shaft, length according to application

Energy Saving Foils

Diameter = vvv (125 mm to 1900 mm)			
Description	-PvvvU3P	-PvvvU3PE	-PvvvU3G
(material depending on application)	3 - bladed propeller, finish: polished Standard: Ra <0.8 µm	3 - bladed propeller, finish: polished and electro polished Standard: Ra <0.8 µm	3 - bladed propeller, finish: shot peened

Optional			
			
	Welding flange	Blind flange	S
Description	Incl. mounting pin nuts and bolts	Incl. seal O-ring	Spare part kit
			motor
			Stainless steel cover - comes in different shapes according to drive type
			Standard spare part kit

DISTRIBUTED BY



ENTERPRISES LTD.

1-800-361-5361