

SMS Union Parts

Alfa Laval

Parts for Inch Tubes

DISTRIBUTED BY



ENTERPRISES LTD.

1-800-361-5361

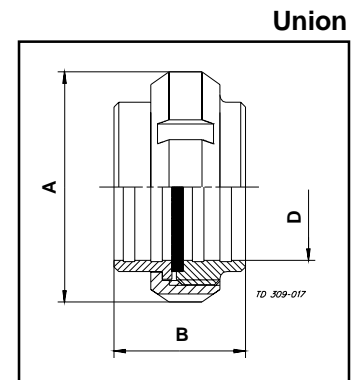
Finish: Semi bright

Connections: Expanding ends

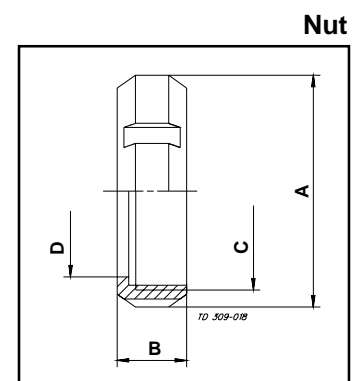
Seals: Nitrile

Thread: Round type 

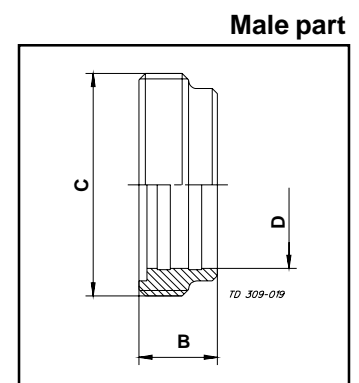
AISI 304 Code No.	Price EURO	AISI 316L Code No.	Price EURO	Nominal size Inch	Dimensions (mm)		
					A	B	D
190655	26.31			25	51	38	25.2
190656	35.30			32	60	38	32.2
190657	32.21			38	74	44	38.2
190658	37.72			51	84	46	51.2
190659	52.00			63.5	100	56	63.8
190660	65.00			76.1	114	66	76.3



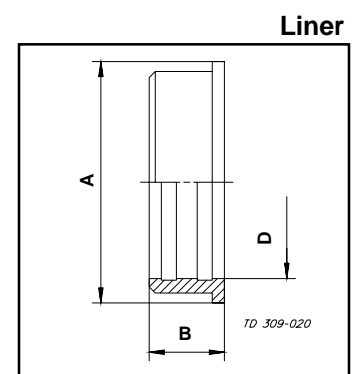
					A	B	C	D
190613	10.60			25	51	20	40x1/6	32
190614	14.63			32	60	22	48x1/6	40
190615	13.29			38	74	25	60x1/6	48
190616	15.30			51	84	26	70x1/6	60.5
190617	20.94			63.5	100	30	85x1/6	74
190618	26.98			76.1	114	32	98x1/6	87
31317-0884-1	69.00			101.6	154	45	132x1/6	117



					B	C	D
190641	8.99			25	20	40x1/6	25.2
190642	11.14			32	20	48x1/6	32.2
190643	10.74			38	23	60x1/6	38.2
190644	12.75			51	25	70x1/6	51.2
190645	17.32			63.5	30	85x1/6	63.8
190646	21.21			76.1	35	98x1/6	76.3



					A	B	D
190627	6.31			25	35.5	17	25.2
190628	9.13			32	43.5	17	32.2
190629	7.79			38	55	20	38.2
190630	9.13			51	65	20	51.2
190631	13.15			63.5	80	25	63.8
190632	16.38			76.1	93	30	76.3



NOTE! Seal rings - please see page 13.

Parts for Inch Tubes

Finish: Semi bright

Connections: Welding ends

Seals: Nitrile

Thread: Round type 

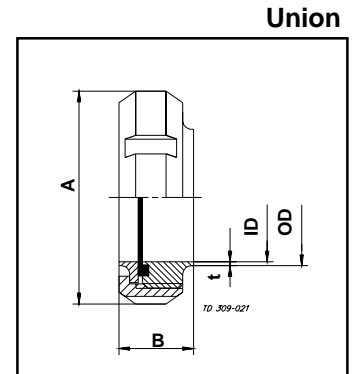
DISTRIBUTED BY



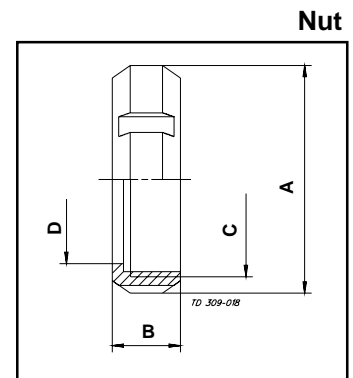
ENTERPRISES LTD.

1-800-361-5361

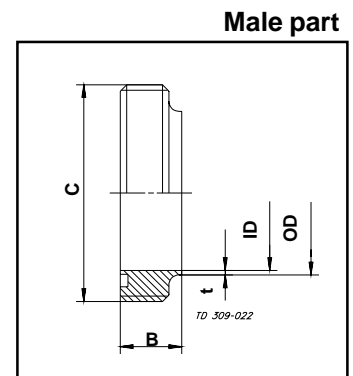
AISI 304 Code No.	Price EURO	AISI 316L Code No.	Price EURO	Nominal size Inch	Dimensions (mm)				
					OD/ID x t	A	B		
9611-30-0382	27.79	9611-33-0382	32.35	25	25/22.6 x 1.2	51	23.5		
9611-30-0389	39.33	9611-33-0389	46.04	32	33.7/31.3 x 1.2	60	25.5		
9611-30-0383	34.50	9611-33-0383	40.00	38	38/35.6 x 1.2	74	30		
9611-30-0384	39.19	9611-33-0384	45.50	51	51/48.6 x 1.2	84	30		
9611-30-0385	54.00	9611-33-0385	63.00	63.5	63.5/60.3 x 1.6	100	33		
9611-30-0386	67.00	9611-33-0386	78.00	76.1	76.1/72.9 x 1.6	114	35		
9611-30-0387	150.00	9611-33-0387	171.00	101.6	101.6/97.6 x 2.0	154	48		



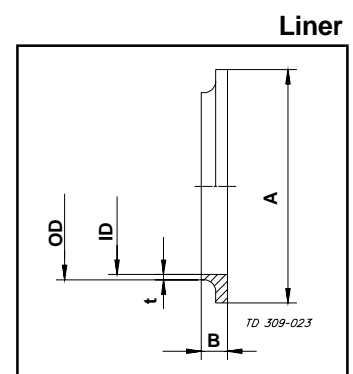
					A	B	C	D		
190613	10.60			25	51	20	40x1/6	32		
190614	14.63			32	60	22	48x1/6	40		
190615	13.29			38	74	25	60x1/6	48		
190616	15.30			51	84	26	70x1/6	60.5		
190617	20.94			63.5	100	30	85x1/6	74		
190618	26.98			76.1	114	32	98x1/6	87		
31317-0884-1	69.00			101.6	154	45	132x1/6	117		



					OD/ID x t	B	C		
190711	10.07	191001	12.89	25	25/22.6 x 1.2	15	40x1/6		
190712	14.63	191002	18.66	32	33.7/31.3 x 1.2	17	48x1/6		
190713	12.62	191003	15.84	38	38/35.6 x 1.2	20	60x1/6		
190714	13.83	191004	17.45	51	51/48.6 x 1.2	20	70x1/6		
190715	19.33	191005	24.56	63.5	63.5/60.3 x 1.6	24	85x1/6		
190716	22.82	191006	29.13	76.1	76.1/72.9 x 1.6	24	98x1/6		
31317-0817-1	49.26	31317-0817-3	63.00	101.6	101.6/97.6 x 2.0	35	132x1/6		



					OD/ID x t	A	B		
190704	6.71	190994	8.46	25	25/22.6 x 1.2	35.5	7.5		
190705	9.66	190995	12.35	32	33.7/31.3 x 1.2	43.5	7.5		
190706	8.19	190996	10.47	38	38/35.6 x 1.2	55	9		
190707	9.53	190997	12.21	51	51/48.6 x 1.2	65	9		
190708	13.15	190998	16.64	63.5	63.5/60.3 x 1.6	80	9		
190709	16.38	190999	21.07	76.1	76.1/72.9 x 1.6	93	10		
31317-0885-1	29.26	31317-0885-2	37.18	101.6	101.6/97.6 x 2.0	127	12		



NOTE! Seal rings - please see page 13.

Parts for Inch Tubes

DISTRIBUTED BY



ENTERPRISES LTD.

1-800-361-5361

Finish: Semi bright

Connections: Welding ends/Expanding ends

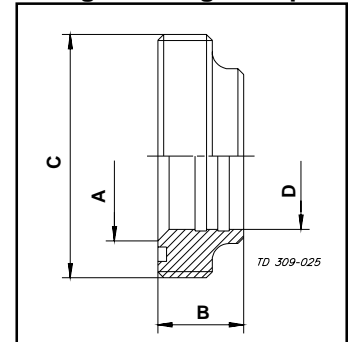
Seals: Nitrile

Thread: Round type



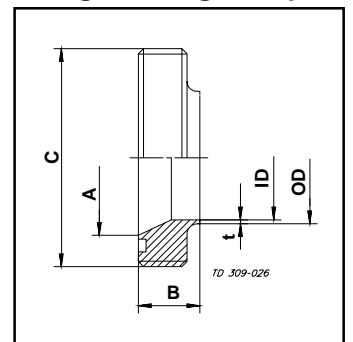
AISI 304 Code No.	Price EURO	AISI 316L Code No.	Price EURO	Nominal size Inch	Dimensions (mm)	A	B	C	D
190129	42.01			38/25		38	23	60x1/6	25.2
190156	48.50			51/25		51	25	70x1/6	25.2
190159	51.00			51/38		51	25	70x1/6	38.2
190160	69.00			63.5/38		63.5	30	85x1/6	38.2
190161	61.00			63.5/51		63.5	30	85x1/6	51.2
190162	90.00			76.1/51		76	35	98x1/6	51.2
190163	108.00			76.1/63.5		76	35	98x1/6	63.8

Expanding reducing male part



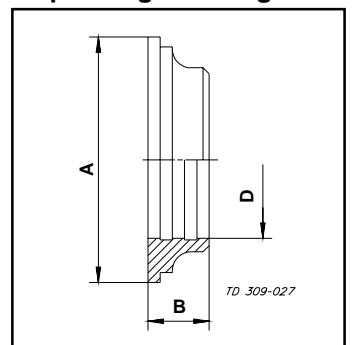
					OD/ID x t	A	B	C
		31317-0737-2	44.00	38/25	25/22.6 x 1.2	35.6	20	60x1/6
		31317-0891-1	61.00	51/25	25/22.6 x 1.2	48.6	20	70x1/6
		31317-0657-1	46.31	51/38	38/35.6 x 1.2	48.6	20	70x1/6
		31317-0892-1	77.00	63.5/38	38/35.6 x 1.2	60.3	24	85x1/6
		31317-0659-1	61.00	63.5/51	51/48.6 x 1.2	60.3	24	85x1/6
		31317-0822-1	102.00	76.1/51	51/48.6 x 1.2	72.9	24	98x1/6
		31317-0512-1	94.00	76.1/63.5	63.5/60.3 x 1.6	72.9	24	98x1/6
		31317-0893-1	171.00	101.6/63.5	63.5/60.3 x 1.6	97.6	35	132x1/6
		31317-0894-1	171.00	101.6/76.1	76.1/72.9 x 1.6	97.6	35	132x1/6

Welding reducing male part



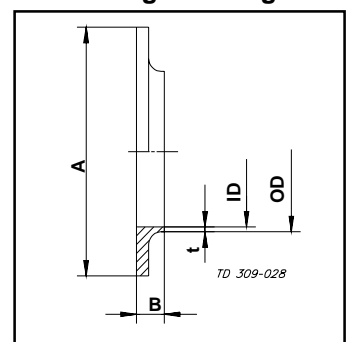
					A	B	D
		191669	19.87	38/25	55	17	25.2
		191670	32.46	51/25	65	17	25.2
		191675	28.72	51/38	65	20	38.2
		191671	58.00	63.5/25	80	17	25.2
		191676	59.00	63.5/38	80	20	38.2
		191678	56.00	63.5/51	80	20	51.2
		191677	71.00	76.1/38	93	20	38.2
		191679	77.00	76.1/51	93	20	51.2
		191680	71.00	76.1/63.5	93	25	63.8

Expanding reducing liner



					OD/ID x t	A	B
		31317-0765-2	23.22	38/25	25/22.6 x 1.2	55	9
		31317-0764-2	24.97	51/25	25/22.6 x 1.2	65	9
		31317-0661-1	24.97	51/38	38/35.6 x 1.2	65	9
		31317-0794-1	41.20	63.5/38	38/35.6 x 1.2	80	9
		31317-0663-1	37.45	63.5/51	51/48.6 x 1.2	80	9
		31317-0793-1	52.00	76.1/51	51/48.6 x 1.2	93	10
		31317-0888-1	52.00	76.1/63.5	63.5/60.3 x 1.6	93	10
		31317-0889-1	96.00	101.6/63.5	63.5/60.3 x 1.6	127	15
		31317-0890-1	88.00	101.6/76.1	76.1/72.9 x 1.6	127	15

Welding reducing liner



NOTE! Seal rings - please see page 13.

DISTRIBUTED BY

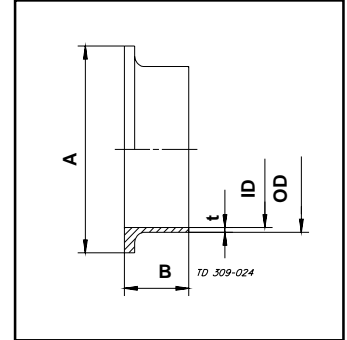


ENTERPRISES LTD.

1-800-361-5361

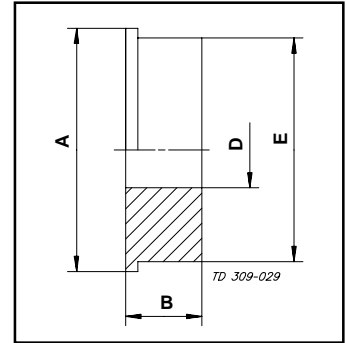
AISI 304 Code No.	Price EURO	AISI 316L Code No.	Price EURO	Nominal size Inch	Dimensions (mm)	OD/ID x t	A	B
		9611-30-961-1	10.74	25		25/22.6 x 1.2	35.5	17
		9611-30-961-3	11.95	38		38/35.6 x 1.2	55	20
		9611-30-961-4	13.56	51		51/48.6 x 1.2	65	20
		9611-30-961-5	18.39	63.5		63.5/60.3 x 1.6	80	25
		9611-30-961-6	22.42	76.1		76.1/72.9 x 1.6	93	30
		9611-30-961-7	42.01	101.6		101.6/97.6 x 2.0	127	35

Welding liner, long



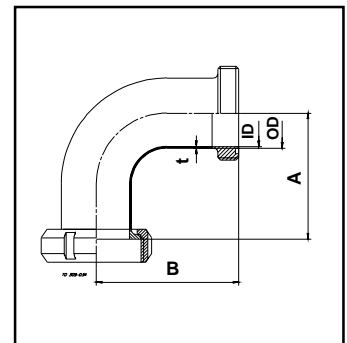
						A	B	D	E
190983	36.00			38		55	20	25	48
190984	34.55			51		65	20	25	60
190985	52.00			63.5		80	25	25	73.5
190986	72.00			76.1		93	30	25	86
31317-0897-1	140.00			101.6		127	35	25	116

Prebored liner



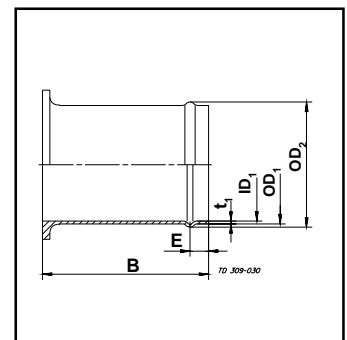
Short bend, ends nut/liner and male

						OD/ID x t	A	B
190760	67.00	191029	79.00	25		25/22.6 x 1.2	55	55
190762	77.00	191031	97.00	38		38/35.6 x 1.2	70	70
190763	63.00	191032	115.00	51		51/48.6 x 1.2	82	82
190764	128.00	191033	107.00	63.5		63.5/60.3 x 1.6	105	105
190765	171.00	191034	197.00	76.1		76.1/72.1 x 2.0	110	110
31317-0898-1	358.00	31317-0898-2	409.00	101.6		101.6/97.6 x 2.0	162	185



Hose liner

						OD ₁ /ID ₁ x t ₁	B	OD ₂	E
		191577	25.37	25		25/22.6 x 1.2	50	29	10
		191579	37.85	38		38/35.6 x 1.2	80	42	10
		191580	38.12	51		51/48.6 x 1.2	110	55	10
		191581	79.00	63.5		63.5/60.3 x 1.6	125	67	10
		191582	86.00	76.1		76.1/72.1 x 2.0	150	80	10
		31317-0560-1	167.00	101.6		101.6/97.6 x 2.0	175	106	10



NOTE! Seal rings - please see page 13.

Parts for Inch Tubes

Finish: Semi bright

Thread: Round type 

DISTRIBUTED BY

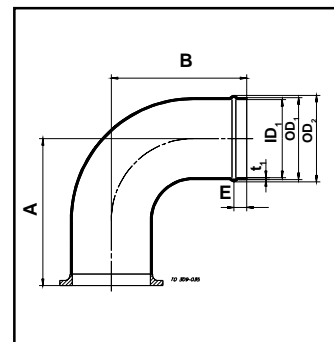


ENTERPRISES LTD.

1-800-361-5361

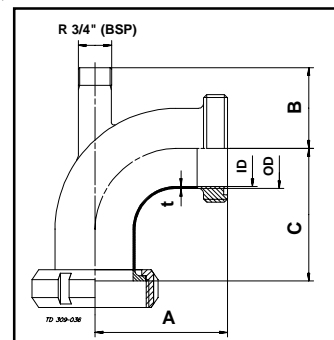
AISI 304 Code No.	Price EURO	AISI 316L Code No.	Price EURO	Nominal size Inch	Dimensions (mm)	OD ₁ /ID ₁ x t ₁	A	B	OD ₂	E
		191603	40.60	25		25/22.6 x 1.2	62	55	29	10
		191605	65.00	38		38/35.6 x 1.2	79	70	42	10
		191606	55.00	51		51/48.6 x 1.2	91	82	55	10
		191607	118.00	63.5		63.5/60.3 x 1.6	114	105	67	10
		191608	167.00	76.1		76.1/72.1 x 2.0	120	110	80	10

Bend with hose end and liner



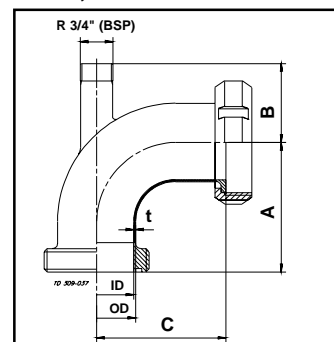
						OD/ID x t	A	B	C	E
		31317-0678-1	258.00	38		38.1/34.9 x 1.6	70	61	70	38
		31317-0679-1	291.00	51		50.8/47.6 x 1.6	82	62	82	51
		31317-0680-1	428.00	63.5		63.5/60.3 x 1.6	105	64	105	63.5
		31317-0681-1	368.00	76.1		76.1/72.1 x 2.0	110	67	110	76.1
		31317-0926-1	681.00	101.6		101.6/97.6 x 2.0	185	46	162	101.6

Instrument bend, connection nut-liner/male



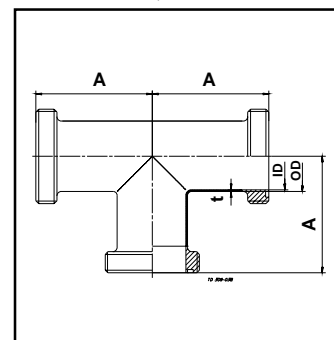
						OD/ID x t	A	B	C
		31317-0674-1	258.00	38		38.1/34.9 x 1.6	70	61	70
		31317-0675-1	291.00	51		50.8/47.6 x 1.6	82	62	82
		31317-0676-1	329.00	63.5		63.5/60.3 x 1.6	105	64	105
		31317-0677-1	368.00	76.1		76.1/72.1 x 2.0	110	67	110
		31317-0927-1	681.00	101.6		101.6/97.6 x 2.0	185	46	162

Instrument bend, male ends/nut-liner



						OD/ID x t	A
190767	93.00	191036	117.00	25		25/22.6 x 1.2	55
190769	193.00	191038	148.00	38		38/35.6 x 1.2	70
190770	188.00	191039	181.00	51		51/48.6 x 1.2	82
190771	235.00	191040	270.00	63.5		63.5/60.3 x 1.6	105
190772	331.00	191041	317.00	76.1		76.1/72.1 x 2.0	110
31317-0929-1	466.00	31317-0929-2	581.00	101.6		101.6/97.6 x 2.0	150

Tee, all ends male

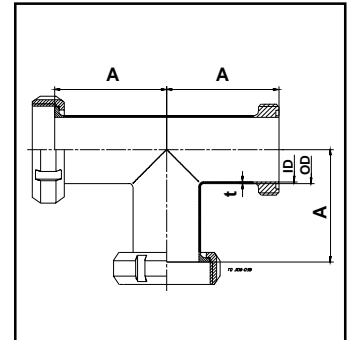


NOTE! Seal rings - please see page 13.

AISI 304 Price AISI 316L Price Nominal size Dimensions
Code No. EURO Code No. EURO Inch (mm)

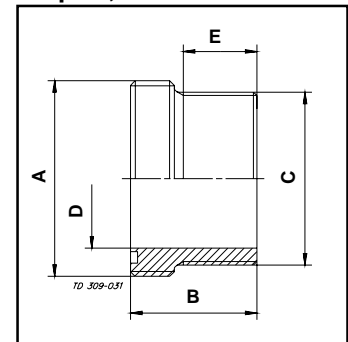
Tee, ends nut/liner and male, branch nut/liner

					OD/ID x t	A			
31317-0877-1	137.00				25/22.6 x 1.2	55			
31317-0879-1	150.00				38/35.6 x 1.2	70			
31317-0880-1	147.00				51/48.6 x 1.2	82			
31317-0881-1	300.00				63.5/60.3 x 1.6	105			
31317-0882-1	352.00				76.1/72.1 x 2.0	110			
31317-0883-1	637.00				101.6/97.6 x 2.0	150			



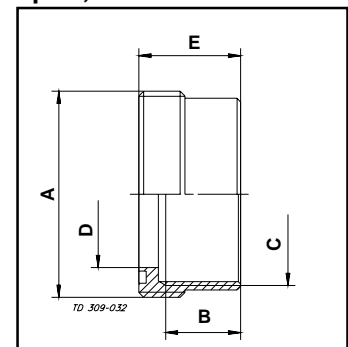
					A	B	C	D	E
							(BSP)		
190502	20.54			25	40x1/6	30	1"	22.5	15
190506	31.81			38	60x1/6	42	1 1/2"	35.5	23
190508	35.70			51	70x1/6	47	2"	48.5	28
190510	147.00			63.5	85x1/6	55	2 1/2"	60.5	32
190512	121.00			76.1	98x1/6	58	3"	72	35

Adapter, male to BSP male



					A	B	C	D	E
							(BSP)		
190514	23.62			25	40x1/6	15	1"	22.5	23
190518	36.38			38	60x1/6	22	1 1/2"	35.5	32
190520	41.07			51	70x1/6	27	2"	48.5	38
190522	163.00			63.5	85x1/6	31	2 1/2"	60.5	42
190524	89.00			76.1	98x1/6	34	3"	72	45

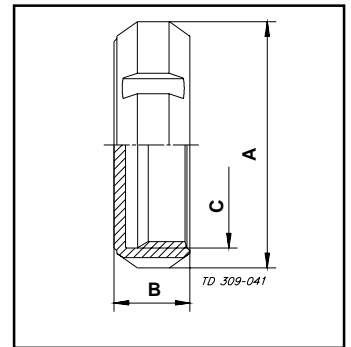
Adapter, male to BSP female



NOTE! Seal rings - please see page 13.

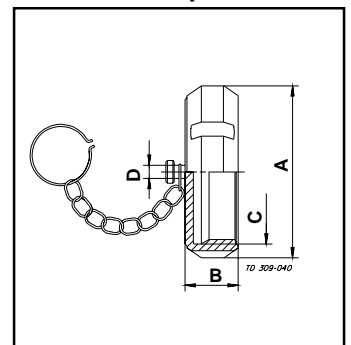
AISI 304 Code No.	Price EURO	AISI 316L Code No.	Price EURO	Nominal size Inch	Dimensions (mm)		
					A	B	C
9612-1430-01	27.63			25	51	20	40x1/6
9612-1430-02	25.37			38	74	25	60x1/6
9612-1430-03	32.48			51	84	26	70x1/6
9612-1430-04	43.09			63.5	100	31	85x1/6
9612-1430-05	53.00			76.1	114	32	98x1/6
9612-1430-06	103.00			101.6	154	45	132x1/6

End cap



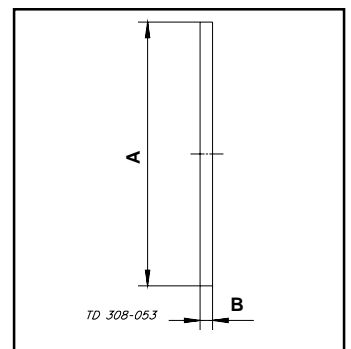
					A	B	C	D
9612-1451-01	34.10			25	51	20	40x1/6	6.5
9612-1451-02	34.63			38	74	25	60x1/6	6.5
9612-1451-03	40.94			51	84	26	70x1/6	6.5
9612-1451-04	52.00			63.5	100	31	85x1/6	6.5
9612-1451-05	65.00			76.1	114	32	98x1/6	6.5
9612-1451-06	117.00			101.6	154	45	132x1/6	6.5

End cap with chain



					A	B
		190084	8.19	25	35.5	3
		190086	10.74	38	55	4
		190087	12.35	51	65	4
		190088	15.97	63.5	80	4
		190089	21.48	76.1	93	5
		31317-0334-1	32.89	101.6	127	6

Blank



NOTE! Seal rings - please see page 13.

DISTRIBUTED BY



ENTERPRISES LTD.

1-800-361-5361

Parts for Inch Tubes

Seal rings

DISTRIBUTED BY

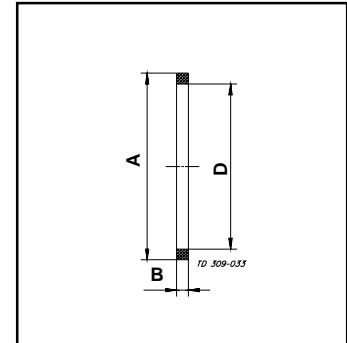


ENTERPRISES LTD.

1-800-361-5361

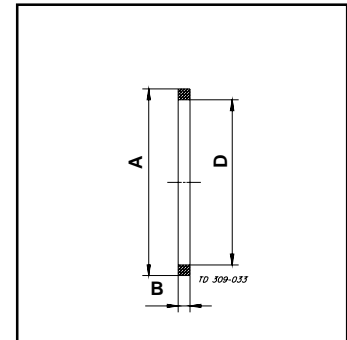
AISI 304 Code No.	Price EURO	AISI 316L Code No.	Price EURO	Nominal size Inch	Dimensions (mm)	A	B	D		
190601	0.40			25		32	5.5	25		
190602	0.40			32		40	5.5	32		
190603	0.40			38		48	5.5	38		
190604	0.54			51		61	5.5	51		
190605	0.54			63.5		73.5	5.5	63.5		
190606	0.67			76.1		86	5.5	76.1		
31317-0886-1	2.42			101.6		114	5.5	101.6		

Seal ring, Nitrile rubber (NBR)



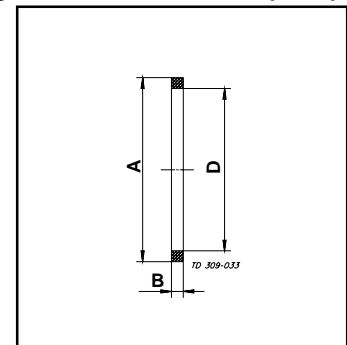
						A	B	D		
31317-0375-3	0.81			25		32	5.5	25		
31317-0377-2	0.81			38		48	5.5	38		
31317-0378-5	1.07			51		61	5.5	51		
31317-0379-3	1.61			63.5		73.5	5.5	63.5		
31317-0380-3	1.88			76.1		86	5.5	76.1		
31317-0886-2	5.37			101.6		114	5.5	101.6		

Seal ring, Ethylene propylene rubber (EPDM)



						A	B	D		
31317-0375-2	6.71			25		32	5.5	25		
191661	11.14			38		48	5.5	38		
31317-0378-2	17.99			51		61	5.5	51		
31317-0379-2	21.34			63.5		73.5	5.5	63.5		
31317-0380-1	28.05			76.1		86	5.5	76.1		
31317-0886-3	57.00			101.6		114	5.5	101.6		

Seal ring, Fluorinated rubber (FPM)



						A	B	D		
31317-0551-1	2.82			25		32	4	25		
31317-0551-2	3.86			32		40	4	32		
31317-0551-3	3.36			38		48	4	38		
31317-0551-4	4.30			51		61	4	51		
31317-0551-5	6.98			63.5		73.5	4	63.5		
31317-0551-6	9.44			76.1		86	4	76.1		
31317-0551-7	11.81			101.6		114	4	101.6		

Seal ring, PTFE

