

DISTRIBUTED BY



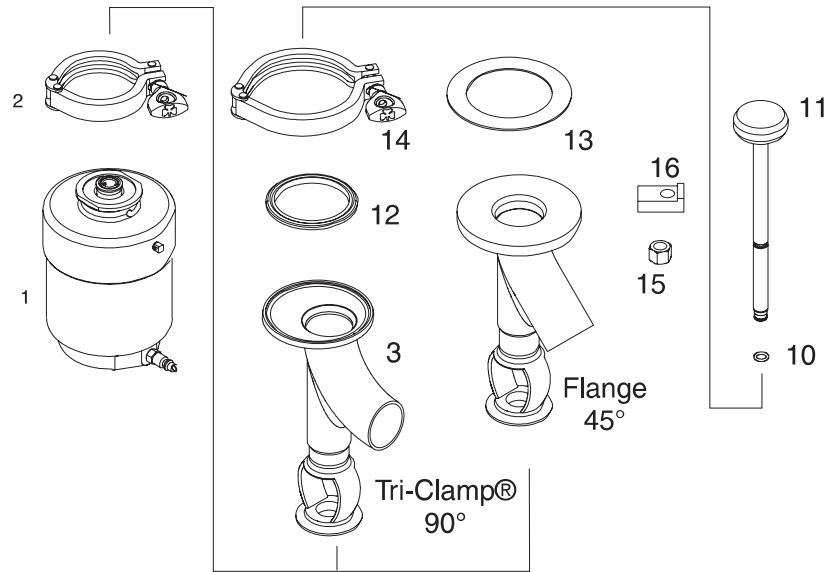
Single seat valves

262 Tank outlet valves (tee type)

Pos	Qty	Denomination	2"	2 1/2"	3"
1	1	Valve body;, 262-47	NA	NA	NA
	1	Valve body;, 262-48	NA	NA	NA
	1	Valve body;, 262-49	NA	NA	NA
	1	Valve body;, 262-50	NA	NA	NA
	1	Valve body;, 262-13	NA	NA	NA
	1	Valve body;, 262-123	NA	NA	NA
1A	1	Valve body;, 262-51	NA	NA	NA
	1	Valve body;, 262-52	NA	NA	NA
2	1	Body clamp	270266	270267	212211
3	□♦	Body gasket, BUNA	755417	755419	755420
	□♦	Body gasket, EPDM	751799	750812	750322
4	□♦	Body gasket, SFY	750209	750210	750610
	1	Valve plug;, 262-47 & 52 BUNA	771249	771680	771682
	1	Valve plug;, 262-47 & 52 EPDM	771264	N/A	772089
	1	Valve plug;, 262-47 & 52 SFY	771981	772291	770177
	1	Valve plug;, plug:262-13 & 123 BUNA	776530	776553	776652
	1	Valve plug;, plug:262-13 & 123 EPDM	770720	770730	771880
4A	1	Valve plug;, plug:262-13 & 123 SFY	770274	771925	771708
	1	TR valve plug	778356	778358	770721
4B	♦	TR snap on seat	750943	750947	751268
5	□♦	O-ring stem, BUNA	755351	755357	755357
	□♦	O-ring stem, EPDM	750036	750037	750037
	□♦	O-ring stem, SFY	750172	750173	750173
6	1	Valve bonnet	754040	754054	754038
7	1	Actuator clamp	212196	212196	212196
8	1	Actuator type 220	750785	750785	750785

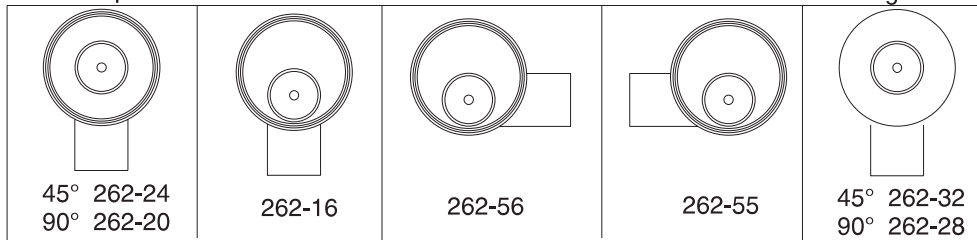
Parts marked with □♦ are included in the service kits.

		2"	2 1/2"	3"
<b>included in non TR Service Kits</b>				
□	Buna	9613990267	9613990270	9613990273
□	EPDM	9613990268	9613990271	9613990274
□	SFY	9613990269	9613990272	9613990275
<b>included in TR Service Kits</b>				
♦	Buna	9613990288	9613990291	9613990294
♦	EPDM	9613990289	9613990292	9613990295
♦	SFY	9613990290	9613990293	9613990296



Tri-Clamp® Bodies

Flange Bodies

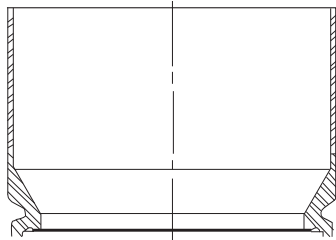


KETTLE VALVE PORT CONFIGURATION  
Bottom View - Looking into valve body through mounting end.

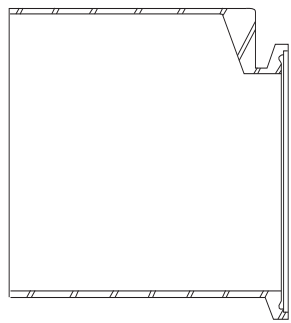
Pos	Qty	Denomination	2"	2 1/2"	3"	4"
1	1	Actuator	750799	750799	750799	750799
2	1	Actuator clamp	212196	212196	212196	212196
3	1	Valve body:, 262-16	NA	NA	NA	NA
4	1	Valve body:, 262-20a	NA	NA	NA	NA
5	1	Valve body:, 262-24a	NA	NA	NA	NA
6	1	Valve body:, 262-28a	NA	NA	NA	NA
7	1	Valve body:, 262-32	NA	NA	NA	NA
8	1	Valve body:, 262-55a	NA	NA	NA	NA
9	1	Valve body:, 262-56a	NA	NA	NA	NA
10	1	O-ring stem, BUNA	755351	755357	755357	755370
	1	O-ring stem, EPDM	750036	750037	750037	750132
	1	O-ring stem, SFY	750172	750173	750173	750077
11	1	Valve plug , BUNA	770133	770334	770451	770458
	1	Valve plug , EPDM	771859	770085	772679	9634050278
	1	Valve plug , SFY	770033	772331	771801	770206
	1	Valve plug, Threaded coupler end BUNA	NA	NA	NA	770197
	1	Valve plug, Threaded coupler end EPDM	NA	NA	NA	770729
11A	1	Coupler nut	NA	NA	NA	180440
12	1	Body gasket, BUNA	755418	755418	755421	755421
	1	Body gasket, EPDM	750811	750811	750686	750686
	1	Body gasket, SFY	750609	750609	750738	750738
13	1	Body gasket, BUNA for 262-28 & 32	755423	755423	755423	755423
	1	Body gasket, EPDM for 262-28 & 32	750949	750949	750949	9634051854
	1	Body gasket, SFY for 262-28 & 32	750123	750123	750123	751443
14	1	Body clamp for 262-16,20,24,55,56	212208	212208	212209	212209
15	4	Nut for 262-28 & 32	754288	754288	754288	754288
16	4	Clamp for 262-28 & 32	755057	755057	755057	755057

Parts marked with  $\square\blacklozenge$  are included in the service kits.

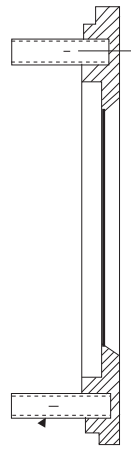
		2"	2 1/2"	3"	4"
<b>included in Service Kits</b>					
$\square$	Buna	9613990276	9613990279	9613990282	9613990285
$\square$	EPDM	9613990277	9613990280	9613990283	9613990286
$\square$	SFY	9613990278	9613990281	9613990284	9613990287
<b>included in Service Kits for 262-28 &amp; 32</b>					
$\blacklozenge$	Buna	9613990255	9613990258	9613990261	9613990264
$\blacklozenge$	EPDM	9613990256	9613990259	9613990262	9613990265
$\blacklozenge$	SFY	9613990257	9613990260	9613990263	9613990266



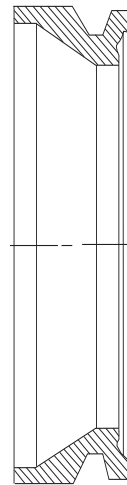
262-31 and 262-35



262-57, 262-58, 262-22



262-29 and 262-33

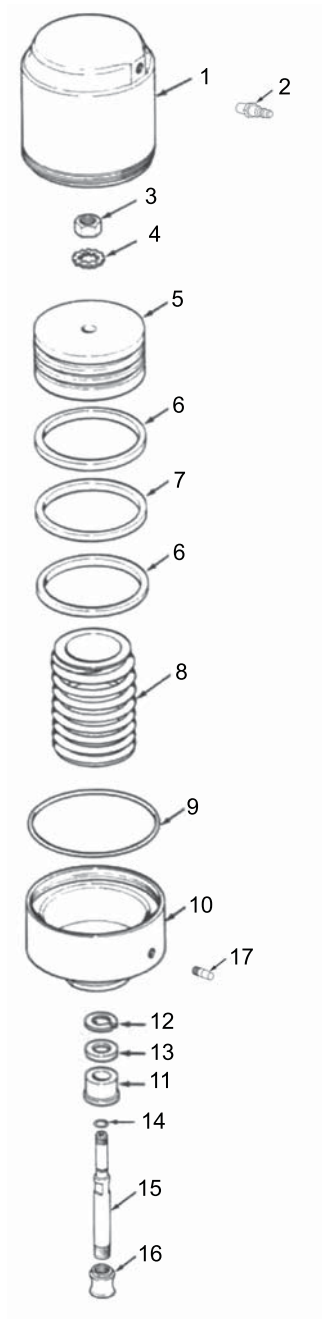


262-21

Single seat valves

Tank ferrules for 262-21, 22, 29, 31, 33, 35, 57, 58

Pos	Qty	Denomination	2"	2 1/2'	3"	4"
	1	Ferrule, 262-21	761580	761580	760938	760938
	1	Ferrule, 262-22	762284	762284	760948	760948
	1	Ferrule, 262-29	760766	760766	760766	760837
	1	Ferrule, 262-31	760928	760928	760345	760345
	1	Ferrule, 262-33	760766	760766	760766	760837
	1	Ferrule, 262-35	760928	760928	760345	760345
	1	Ferrule, 262-57	762284	762284	760948	760948
	1	Ferrule, 262-58	762284	762284	760948	760948

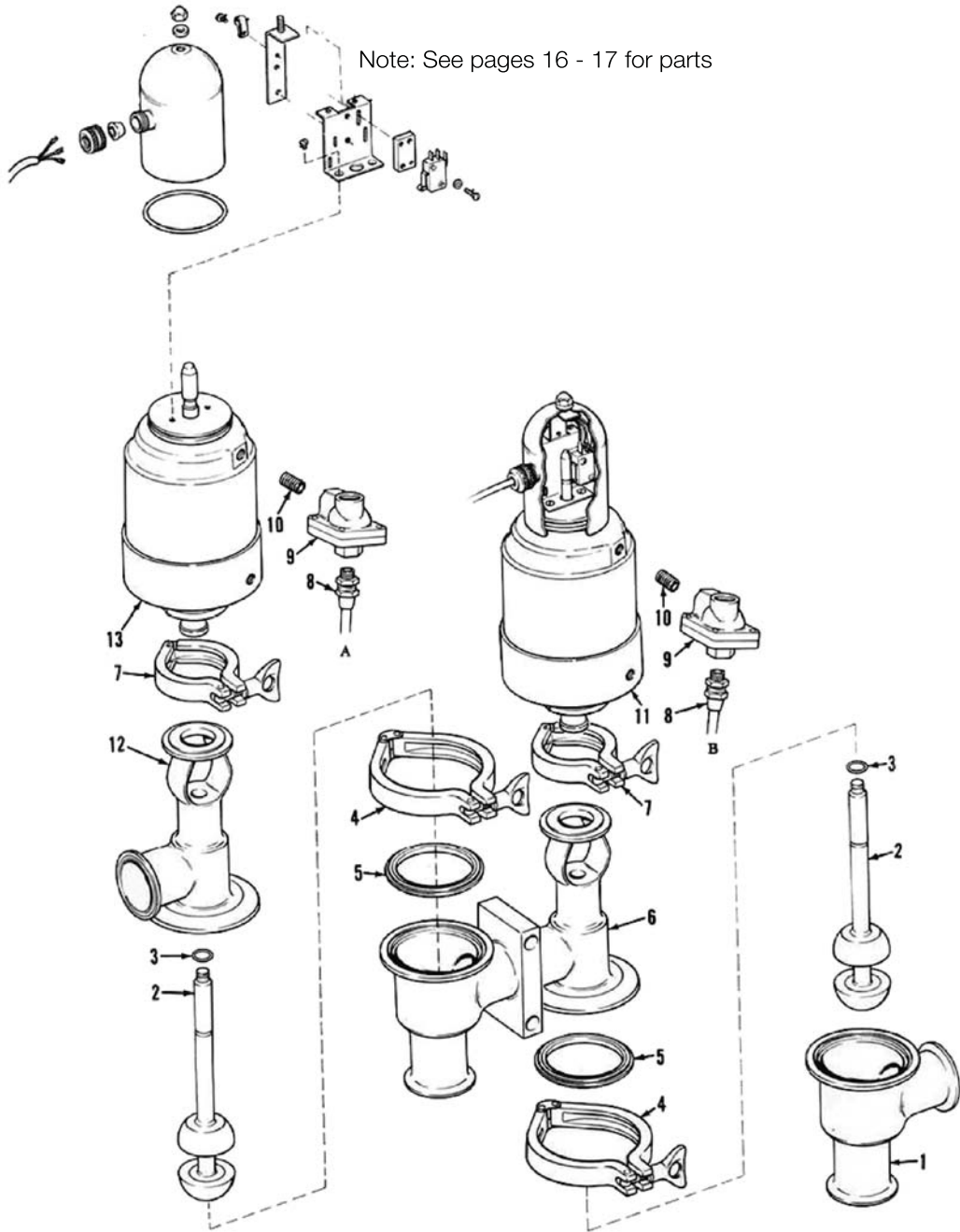


Pos	Qty	Denomination	
1	1	Cylinder . . . . .	750846
2	1	Air coupler adapter . . . . .	764098
3	1	Nut . . . . .	189923
4	□	1 Lockwasher . . . . .	189971
5	1	Piston . . . . .	767870
6	□	2 Vee block packing . . . . .	755460
7	□	1 Felt seal . . . . .	755464
8	1	Spring assembly . . . . .	750832
9	□	1 O-ring . . . . .	296608
10	1	Bonnet . . . . .	753826
11	1	Bushing . . . . .	764754
12	□	1 Retainer ring . . . . .	755090
13	□	1 V Packing . . . . .	755461
14	□	1 O-ring . . . . .	755388
15	1	Stem . . . . .	750605
16	1	Coupler . . . . .	764241
17	1	Vented plug . . . . .	181256

Parts marked with □ are included in the service kits.

---

□	<b>Service kit . . . . .</b>	<b>9613990037</b>
---	------------------------------	-------------------



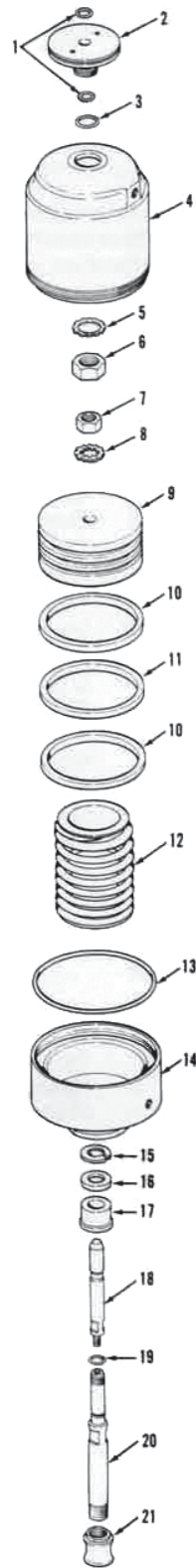


Pos	Qty	Denomination	1½"	2"	2 1/2"	3"	3H
1	1	Lower body-divert Valve	NA	NA	NA	NA	NA
2	2	Valve plug, EPDM	771372	770607	771912	770639	770639
	2	Valve plug, SFY	772035	771755	771311	771815	771815
	2	Valve plug, TR	770602	770597	770600	770625	770625
3	□	2 O-ring, BUNA	755351	755351	755357	755357	755357
	□	2 O-ring, EPDM	750036	750036	750037	750037	750037
	□	2 O-ring, SFY	750172	750172	750173	750173	750173
4	2	Clamp-body	212198	270266	270267	212211	212211
5	□	2 Gasket-body, BUNA	755416	755417	755419	755420	755420
	□	2 Gasket-body, EPDM	750062	751799	750812	750322	750322
	□	2 Gasket-body, SFY	750497	750209	750210	750210	750210
6	1	Body assembly-valve	NA	NA	NA	NA	NA
7	2	Clamp-actuator	212196	212196	212196	212196	212196
8	2	Connector-hose	764027	764027	764027	764027	764027
9	2	Quick exhaust valve	762365	762365	762365	762365	762365
10	2	Nipple-pipe	360583	360583	360583	360583	360583
11	2	Actuator-complete	751053	751053	750794	751054	751055
12	1	Upper body	NA	NA	NA	NA	NA
13	1	Actuator-complete	751053	751053	750794	751054	751055
35	1	Air filter	NA	NA	NA	NA	NA
36	1	Control panel, 115V	NA	NA	NA	NA	NA
	1	Control panel, 220V	NA	NA	NA	NA	NA
37	2	Hose (10' long)	NA	NA	NA	NA	NA
38	2	Connector	NA	NA	NA	NA	NA

Parts marked with □ are included in the service kits.

		1 1/2"	2"	2 1/2"	3"
□	BUNA	9613990172	9613990175	9613990179	9613990181
□	EPDM	9613990173	9613990176	9613990179	9613990182
□	SFY	9613990174	9613990177	9613990180	9613990183



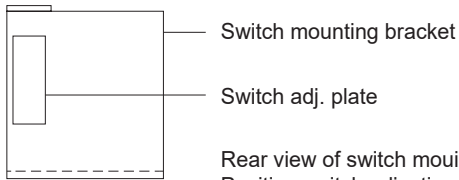


Pos	Qty	Denomination	2"	2 1/2"	3"	3H
1	□	2 O ring-base plate to stem . . . . .	755388	755388	755388	755388
2		1 Base plate . . . . .	759592	759592	759592	759592
3	□	1 O ring-base plate to housing . . . . .	755531	755531	755531	755531
4		1 Cylinder-actuator body . . . . .	750830	750830	750830	750830
5		1 Lock washer-base plate nut . . . . .	754869	754869	754869	754869
6		1 Nut-base plate . . . . .	754338	754338	754338	754338
7		1 Nut-actuator stem . . . . .	189923	189923	189923	189923
8		1 Lock washer stem . . . . .	189971	189971	189971	189971
9		1 Piston . . . . .	767870	759405	759405	759405
10	□	2 Packing . . . . .	755460	755460	755460	755460
11	□	1 Felt seal . . . . .	755464	755464	755464	755464
12		1 Spring Assembly . . . . .	750826	750797	750796	750796
		1 Spring assembly (small 3H only) . . . . .				750803
13	□	1 O ring-bonnet to cylinder . . . . .	296608	296608	296608	296608
14		1 Bonnet actuator . . . . .	753796	753796	753796	759407
15	□	1 Ring-retaining . . . . .	755090	755090	755090	755090
16	□	1 Packing-vee block . . . . .	755461	755461	755461	755461
17		1 Bushing-stem . . . . .	764754	764754	764754	764754
18		1 Stem-indicating . . . . .	750327	750327	750327	750327
19	□	1 O ring-stem . . . . .	755388	755388	755388	755388
20		1 Stem-actuator . . . . .	750324	750324	750324	750324
21		1 Coupler . . . . .	764241	764241	764241	764241
22		1 Plug-vented . . . . .	181256	181256	181256	181256

Parts marked with □ are included in the service kits.

---

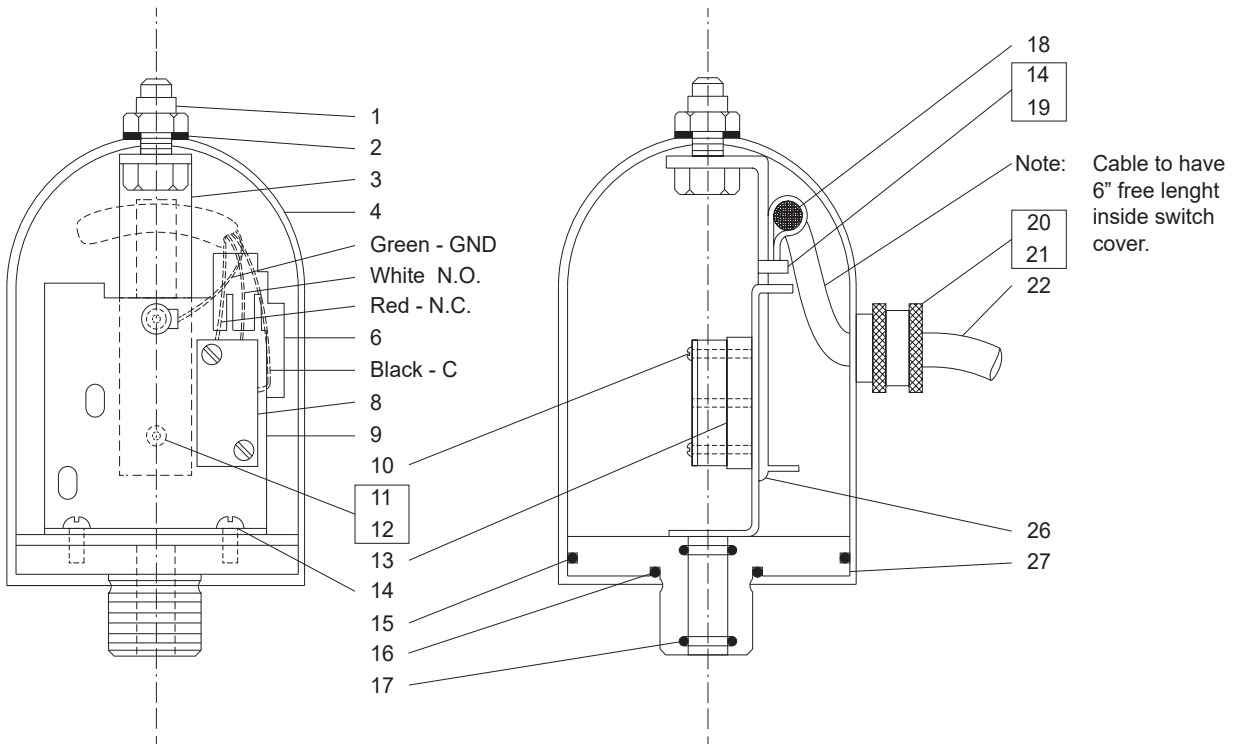
□ **Service kit . . . . . 9613990171**



Rear view of switch mounting bracket.  
Position switch adjusting plate as shown.

Note: Position Cable entrance and knurled nut facing switch adjusting screws as shown (20 and 21)

Note: Jumper wire to be soldered on back of slip-on connector of black lead wire.



Pos	Qty	Denomination	Part No.	Item No.
1	1	Elastic Stop Nut	NU1500E02-SS	180134
2	1	Nylon Lockwasher	15-87-3/8	755000
3	1	Cover Hold Down Bracket	10-336-S	751587
4	1	Switch Cover	23-124-1-S	750680
6	1	Socket	EL-19760-0011	760450
8	1	Micro Switch	EL-79500-0013	768263
9	1	Switch Mounting Bracket	10-155	753405
10	2	#4-40 x 1" Lg. Rd. Hd. M. Screw	SC110R-SS	189492
11	2	#10-32 x 1/4 Lg. Rd. Hd. M. Screw	SC1003R-SS	189617
12	2	#10 Lockwasher	LWA900-SS	180086
13	1	Switch Mtg. Block	24-30	758780
14	3	6-32 x 3/8 Lg. Truss Hd. S.S.	SC505Y-SS	180337
15	1	O Ring	17-156-USF	755530
16	1	O Ring	17-157-U	755531
17	2	O Ring	17-35-USF	755388
18	1	Cable Clamp	16-115	755138
19	2	Washer	15-110	754860
20	1	Knurled Nut	EL-40165-0011	768022
21	1	Rubber Grommet	EL-40165-0004	768023
22	1	Cable Assembly	EL-97510-0003	763801
26	1	Switch Adj. Plate	10-156-S	753406
27	1	Switch As'bly Base	26-42	759592

DISTRIBUTED BY



ENTERPRISES LTD.

1-800-361-5361