



DISTRIBUTED BY  
**HARCO**  
**ENTERPRISES LTD.**  
 1-800-361-5361

# High Pressure at Low Capacity

## LKHM-110P and LKH-120/P Multi-Stage Centrifugal Pump

### Application

LKHM-110 and -120/P is a highly efficient and economical multi-stage centrifugal pump, which meets the requirements of sanitary and gentle product treatment and chemical resistance. Both the LKHM-110 and LKHM-120P are available in 3 sizes, LKHM-112, -113, -114 and LKHM-122/P, -123/P, -124/P respectively, for 2, 3 and 4 stages.

### Standard design

LKHM-110 and LKHM-120/P consist of a motor, stub shaft with key, mechanical compression coupling, adaptor, backplate, impellers, pump casing, intermediate casing (3 or 4 stage), pump cover, impeller screw and shaft seal. The pumps are designed for CIP with emphasis on large internal radii and cleanable seals.

### Shaft seals

The pumps can be fitted with two types of mechanical seals:

- Single internal seal.
- Flushed seal.

Both seal types have stationary seal rings of silicon carbide and rotating seal rings of carbon or silicon carbide. The secondary seal of the flushed seal is a long lasting lip seal.

The secondary seal of the flushed seal is a long lasting lip seal.



### TECHNICAL DATA

#### Materials

Product wetted steel parts . . . Acid-resistant steel, AISI 316L and AISI 329L  
 Other steel parts: . . . . . Stainless steel, AISI 304  
 Product wetted seals: . . . . . EPDM.  
 Other O-rings: . . . . . EPDM.  
 Finish: . . . . . Polished  $\leq 32Ra$  and 3A approved.

#### Connctions for FSS:

6mm tube/Rp 1/8"

#### Motor

Standard C-Face, foot mounted motor according to NEMA standard at 3500. Premium efficiency, insulation Class F. High Thrust Bearings Required.

#### Hp

Horsepower requirements based on flow curves.

#### Voltage and frequency

3 phase, 60 Hz, 230-460v standard. Other voltages and frequencies available upon request.

### OPERATING DATA

#### Technical data

#### Max. outlet pressure, LKHM-110/P, LKHM-120/P:

- Limited by the strength of the pump casing: 580 PSI (40 bar) temperature < 104° F.
- Limited by the strength of the pump casing: 290 PSI (20 bar) temperature > 104° F.

Temperature range: . . . . . 14°F to +284 °F (EPDM).

Water pressure: . . . . . Normally atmospheric, max. 15 PSI (flushed seal).

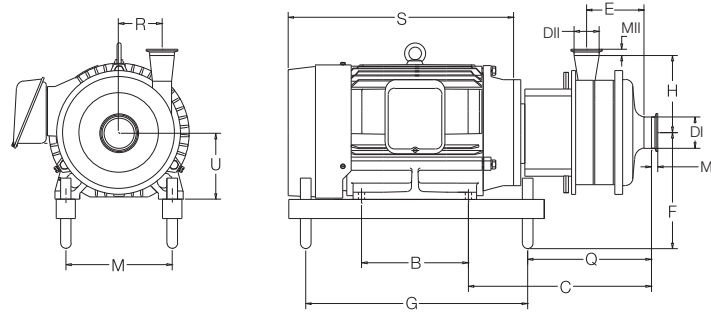
Water consumption: . . . . . 0.066 -0.13 US GPM (flushed seal)

Noise level (at 3.3 ft: . . . . . 60-80 dB (A).

#### Versions

	LKHM-110/P	LKHM-120/P
Inlet pressure	>145 PSI	-
Motor	Special	Special
Back Plate	Reinforced	Standard
Shaft seal	SIC/SIC	SIC/SIC

Dimensions (in)



LKHM-112

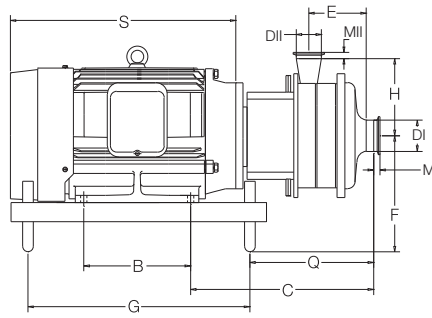
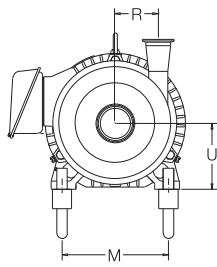
Size	Motor			
	5 Hp	7.5 Hp	10 Hp	15 Hp
B	4.50	5.50	7.00	8.25
C	6.50	7.13	7.40	7.32
E	2.99	2.99	2.99	2.99
F	8.35	8.35	9.13	9.13
G	10.30	14.20	14.20	19.00
H	5.51	5.51	5.51	5.51
M	7.50	8.50	8.50	10.00
Q	8.86	10.87	11.14	12.64
R	3.39	3.39	3.39	3.39
S	12.00	14.60	16.10	18.70
U	5.83	5.83	6.61	6.61
Weight (lbs)	146.00	197.00	222.00	315.00

LKHM-113

Size	Motor		
	10 Hp	15 Hp	20 Hp
B	7.00	8.25	10.00
C	9.06	8.98	8.98
E	4.65	4.65	4.65
F	9.13	9.13	10.08
G	14.20	19.00	19.00
H	5.51	5.51	5.51
M	8.50	10.00	10.00
Q	12.80	14.29	14.29
R	3.39	3.39	3.39
S	16.10	18.70	19.40
U	6.61	6.61	7.56
Weight (lbs)	238.00	331.00	381.00

LKHM-114

Size	Motor			
	15 Hp	20 Hp	25 Hp	30 Hp
B	8.25	10.00	9.50	11.00
C	10.59	10.59	11.77	11.77
E	6.26	6.26	6.26	6.26
F	9.13	10.08	10.83	10.83
G	19.00	19.00	20.00	20.00
H	5.51	5.51	5.51	5.51
M	10.00	10.00	11.00	11.00
Q	12.64	12.64	14.49	14.49
R	3.39	3.39	3.39	3.39
S	18.70	19.40	23.90	23.90
U	6.61	7.56	8.35	8.35
Weight (lbs)	347.00	397.00	478.00	509.00



**LKHM-122/P**

(in)	Sterling-motor	
	hp	
	40/50/60	
A	9.69	
B	12.01	
C	16.18	
E	3.27	
F min.	10.24	
F max.	15.16	
G	21.02	
H	10.43	
K	26.5	
M	12.52	
P min.	26.02	
P max.	30.94	
Q	10.16	
R	4.45	
S	27.56	
T	7.87	
U	8.66	
Z min.	23.03	
Z max.	27.95	
Weight (lbs)	816/816/860	

**LKHM-124/P**

	Sterling-motor	
	hp	
	40/50/60	75/100
A	9.69	15.31
B	12.01	12.2/13.7
C	14.65	16.69
E	7.76	7.76
F min.	10.24	15.79
F max.	15.16	18.19
G	21.02	25.2
H	10.43	10.43
J	12.52	15.98
K	26.5	29.65
P min.	26.02	31.93
P max.	30.94	34.33
Q	20.67	24.33
R	4.45	4.45
S	27.56	33/35
T	7.87	9.8
U	8.66	
Z min.	23.03	29.4/30.6
Z max.	27.95	31.8/33
Weight (lbs)	891/891/935	1274/1307

**LKHM-123/P**

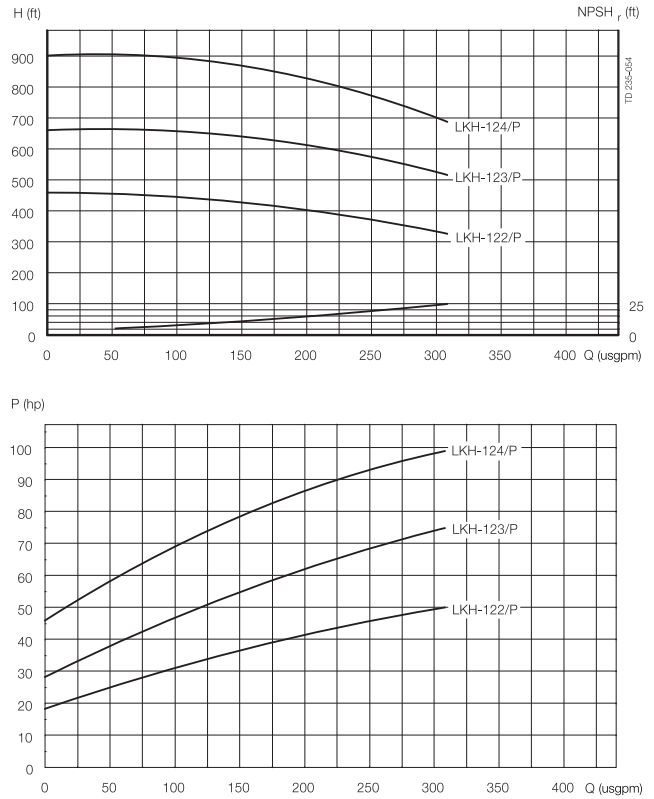
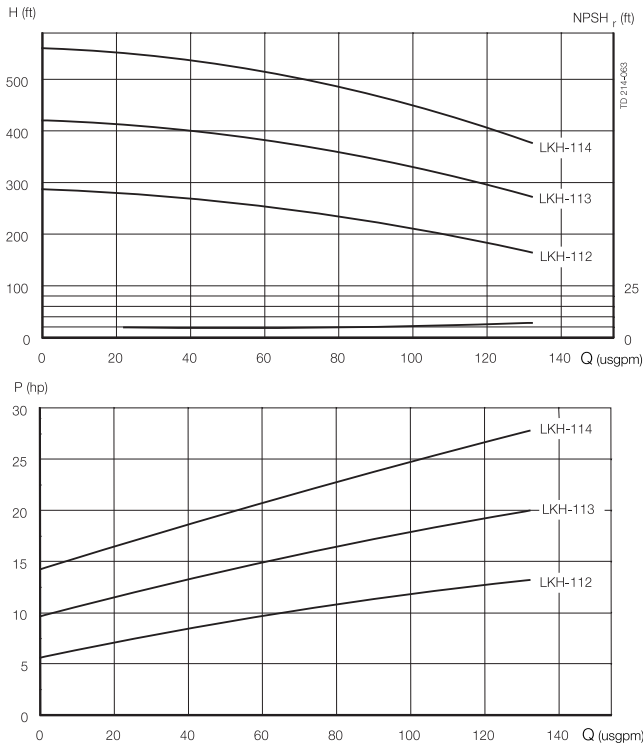
(in)	Sterling-motor	
	hp	
	40/50/60	75/100
A	9.69	15.31
B	12.01	12.2/13.7
C	18.46	16.69
E	5.55	7.76
F min.	10.24	15.79
F max.	15.16	18.19
G	21.02	25.2
H	10.43	10.43
K	26.5	15.98
M	12.52	29.65
P min.	26.02	31.93
P max.	30.94	34.33
Q	12.44	24.33
R	4.45	4.45
S	27.56	33/35
T	7.87	9.8
U	8.66	
Z min.	23.03	29.4/30.6
Z max.	27.95	31.8/33
Weight (lbs)	853/853/897	1274/1307

**Connections (in)**

LKHM-112, LKHM-113, LKHM-114

	Tri-Clamp
DI 2"	
DII 1½"	
M I	0.827
M II	0.827

## Volumetric Flow



### Options

- Special motor for inlet pressure higher than 145 PSI (only LKH-110).
- Motor for other voltage and/or frequency
- Flushed shaft seal.
- Impeller with reduced diameter.
- Counter flanges, seal rings and bolts for flanged connections (industrial version).
- Product wetted seals of Buna (NBR), or Fluorinated rubber (FPM).
- Rotating seal ring of Silicon Carbide.
- Surface roughness, product wetted parts: unpolished, 32Ra, micro inches (0.8 mm), or higher finishes

### Notel

For further details, see also instruction manual.

### Ordering

Please state the following when ordering:

- Pump size.
- Version, sanitary or industrial.
- Connections.
- Impeller diameter.
- Motor size.
- Voltage and frequency.
- Flow, pressure and temperature.
- Density and viscosity of the product.
- Options.

Alfa Laval reserves the right to change specifications without prior notification. ALFA LAVAL is a trademark registered and owned by Alfa Laval Corporate AB.

ESE00266ENUS 1505

© Alfa Laval

### How to contact Alfa Laval

Contact details for all countries are continually updated on our website. Please visit [www.alfalaval.us](http://www.alfalaval.us) to access the information direct.

DISTRIBUTED BY  
**HARCO**  
**ENTERPRISES LTD.**  
 1-800-361-5361