



## Strong and Reliable

### LKHPF Filtration Centrifugal Pump for High Inlet Pressure

#### Application

The LKHPF pump is a highly efficient and economical centrifugal pump, specially designed for high inlet pressures, e.g. for use in filtration systems. The LKHPF pump meets the requirements of sanitary and gentle product treatment and chemical resistance, and is available in nine sizes, LKHPF-10, -20, -25, -35, -40, -45, -50, -60, -70.

#### Standard Design

The LKHPF pump consists of a special motor, stub shaft, compression coupling, adaptor, back plate, impeller, impeller screw, pump casing and shaft seal. The LKHPF pump is designed for CIP-cleaning with an emphasis on large internal radii and easily cleanable seals, to accommodate 3A requirements.

#### Shaft Seals

The LKHPF pump can be fitted with two types of mechanical seal:

- Single internal seal.
- Flushed seal.

Both seal types have a stationary seal ring and rotating seal ring in silicon carbide.

The secondary seal of the flushed seal is a long lasting lip seal.



#### TECHNICAL DATA

##### Materials

Product wetted steel parts: . . . . . Acid-resistant steel AISI 316L and AISI 329L.

Other steel parts: . . . . . Stainless steel AISI 304..

Product wetted seals: . . . . . EPDM rubber.

Optional: . . . . . NBR (Buna); FPM (Viton)

Finish: . . . . . Polished  $\leq 32$  Ra.

##### Connections for flushed shaft seal:

1/4 tube/Rp 1/8

##### Motor

Special high thrust bearing NEMA C-Face motor, foot mounted motor according to NEMA standards at 3500 RPM. Premium efficiency, TEFC, insulation Class F

#### OPERATING DATA

##### Pressure

Max. inlet pressure: . . . . . 600 PSI.

Water pressure inlet: . . . . . Max. 14.5 PSI (Flushed seal)

##### Temperature

Temperature range: . . . . . 14° F to 284° F (EPDM).

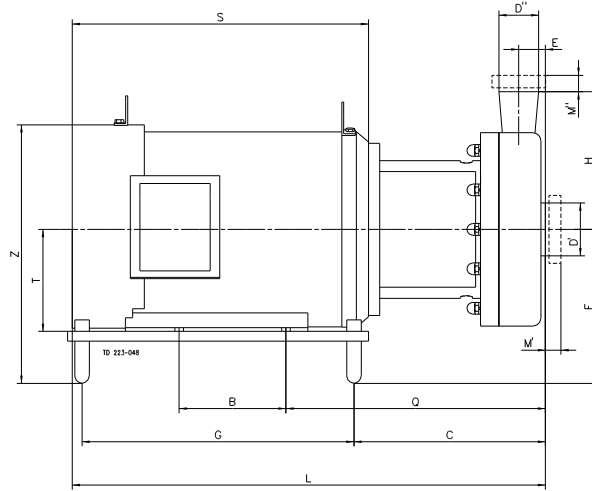
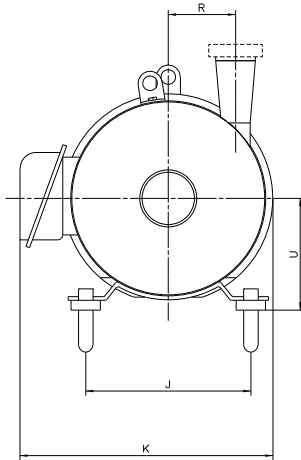
##### Water consumption

Water consumption: . . . . . 4-8 usgph (Flushed seal)

##### Noise

Noise level (at 3 ft.): . . . . . 60 - 80 dB (A).

Dimensions (in)



LKHPF-10 and LKHPF-20

Size	Motor		
	LKHPF-10 7.5 Hp	LKHPF-20 7.5 Hp	LKHPF-20 10 Hp
B	5.50	5.50	5.50
C	9.31	9.86	9.86
E	1.14	1.37	1.37
F	7.93	7.93	7.93
G	14.00	14.00	14.00
H	5.59	7.09	7.09
J	8.50	8.50	8.50
Q	12.81	13.36	13.36
R	3.43	3.46	3.46
S	14.03	14.03	15.25
T	5.25	5.25	5.25
U	5.75	5.75	5.751
Z	13.31	13.31	13.31
K	13.02	13.02	13.02
L	23.81	23.14	24.36
Weight (lbs.)	199.00	205.00	230.00

LKHPF-35

Size	Motor			
	7.5 Hp	10 Hp	15 Hp	20 Hp
B	5.50	5.50	8.25	8.25
C	9.39	9.39	11.90	11.90
E	1.10	1.10	1.10	1.10
F	7.93	7.93	8.93	8.93
G	14.00	14.00	14.50	14.50
H	7.60	7.60	7.60	7.60
J	8.50	8.50	10.00	10.00
Q	12.89	12.89	14.11	14.11
R	4.68	4.68	4.68	4.68
S	14.03	15.25	19.40	21.10
T	5.25	5.25	6.25	6.25
U	5.75	5.75	6.75	6.75
Z	13.31	13.31	15.33	15.33
K	13.60	13.60	17.30	17.30
L	22.67	23.89	29.14	30.84
Weight (lbs.)				

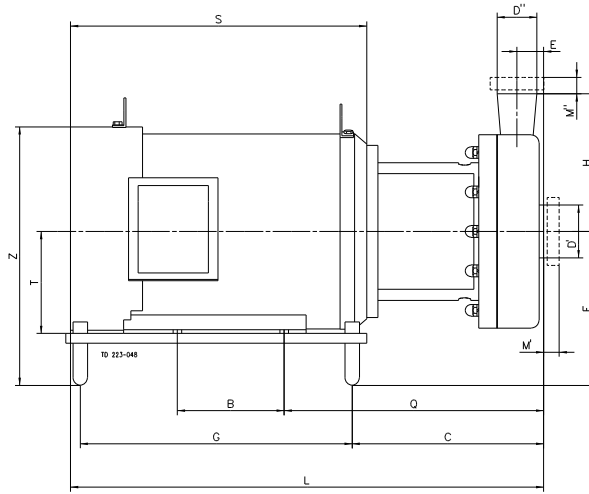
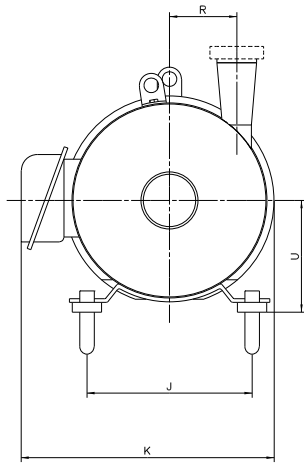
LKHPF-25

Size	Motor			
	7.5 Hp	10 Hp	15 Hp	20 Hp
B	5.50	5.50	8.25	8.25
C	10.02	10.02	12.52	12.52
E	1.50	1.50	1.50	1.50
F	7.93	7.93	8.93	8.93
G	14.00	14.00	14.50	14.50
H	7.60	7.60	7.60	7.60
J	8.50	8.50	10.00	10.00
Q	13.52	13.52	14.74	14.74
R	4.17	4.17	4.17	4.17
S	14.03	15.25	19.40	21.10
T	5.25	5.25	6.25	6.25
U	5.75	5.75	6.75	6.75
Z	13.31	13.31	15.33	15.33
K	13.60	13.60	17.30	17.30
L	23.30	24.52	29.77	31.47
Weight (lbs.)				

LKHPF-40

Size	Motor				
	10 Hp	15 Hp	20 Hp	25 Hp	30 Hp
B	5.50	8.25	8.25	10.00	10.00
C	9.81	12.31	12.31	12.77	12.77
E	1.32	1.32	1.32	1.32	1.32
F	7.93	8.93	8.93	9.68	9.68
G	14.00	14.50	14.50	15.51	15.51
H	8.35	8.35	8.35	8.35	8.35
J	8.50	10.00	10.00	11.00	11.00
Q	13.31	14.53	14.53	15.00	15.00
R	4.96	4.96	4.96	4.96	4.96
S	15.25	19.40	21.10	22.28	23.78
T	5.25	6.25	6.25	7.00	7.00
U	5.75	6.75	6.75	7.50	7.50
Z	13.31	15.33	15.33	17.51	17.51
K	14.12	17.30	17.30	21.24	21.24
L	24.31	29.56	31.26	32.44	33.94
Weight (lbs.)	262.00	355.00	405.00	486.00	517.00

Dimensions (in)



LKHPF-45

Size	Motor			
	7.5 Hp	10Hp	15 Hp	20 Hp
B	5.50	5.50	8.25	8.25
C	10.45	10.45	12.96	12.96
E	1.69	1.69	1.69	1.69
F	7.93	7.93	8.93	8.93
G	14.00	14.00	14.50	14.50
H	7.60	7.60	7.60	7.60
J	8.50	8.50	10.00	10.00
Q	13.95	13.95	15.18	15.18
R	3.83	3.83	3.83	3.83
S	14.03	15.25	19.40	21.10
T	5.25	5.25	6.25	6.25
U	5.75	5.75	6.75	6.75
Z	13.31	13.31	15.33	15.33
K	13.60	13.60	17.30	17.30
L	23.73	24.95	30.21	31.91
Weight (lbs.)				

LKHPF-60

Size	Motor			
	15 Hp	20 Hp	25 Hp	30 Hp
B	8.25	8.25	10.00	10.00
C	12.9	12.96	13.42	13.42
E	1.65	1.65	1.65	1.65
F	8.93	8.93	9.68	9.68
G	14.50	14.50	15.51	15.51
H	10.29	10.29	10.29	10.29
J	10.00	10.00	11.00	11.00
Q	15.18	15.18	15.65	15.65
R	3.95	3.95	3.95	3.95
S	19.40	21.10	22.28	23.78
T	6.25	6.25	7.00	7.00
U	6.75	6.75	7.50	7.50
Z	15.33	15.33	17.51	17.51
K	17.30	17.30	21.24	21.24
L	30.21	31.91	33.09	34.59
Weight (lbs.)	369.00	419.00	500.00	531.00

LKHPF-50

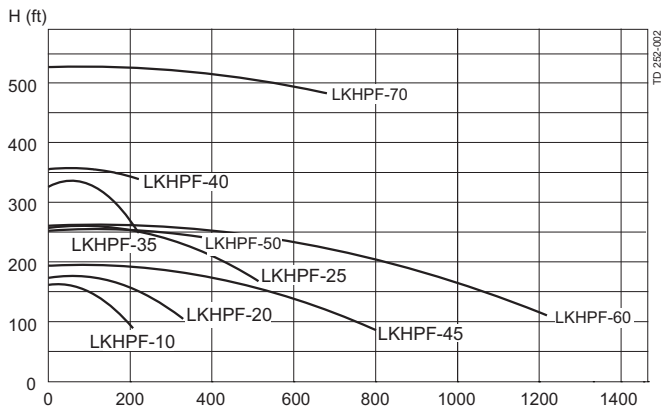
Size	Motor					
	7.5 Hp	10Hp	15 Hp	20 Hp	25 Hp	30 Hp
B	5.50	5.50	8.25	8.25	10.00	10.00
C	10.36	10.36	12.86	12.86	13.32	13.32
E	1.64	1.64	1.64	1.64	1.64	1.64
F	7.93	7.93	8.93	8.93	9.68	9.68
G	14.00	14.00	14.50	14.50	15.51	15.51
H	8.07	8.07	8.07	8.07	8.07	8.07
J	8.50	8.50	10.00	10.00	11.00	11.00
Q	13.86	13.86	15.08	15.08	15.55	15.55
R	4.65	4.65	4.65	4.65	4.65	4.65
S	14.03	15.25	19.40	21.10	22.28	23.78
T	5.25	5.25	6.25	6.25	7.00	7.00
U	5.75	5.75	6.75	6.75	7.50	7.50
Z	13.31	13.31	15.33	15.33	17.51	17.51
K	14.12	14.12	17.30	17.30	21.24	21.24
L	23.64	24.86	30.11	31.81	32.99	34.49
Weight (lbs.)	241.00	266.00	359.00	409.00	590.00	521.00

LKHPF-70

Size	Motor				
	40Hp	50Hp	60Hp	75Hp	100Hp
B	10.50	12.00	11.25	12.25	13.75
C	12.13	12.13	12.13	12.13	12.87
E	0.98	0.98	0.98	0.98	0.98
F	12.92	12.92	13.92	13.92	14.92
G	21.00	21.00	21.00	21.00	21.00
H	10.00	10.00	10.00	10.00	10.00
J	12.50	12.50	14.00	14.00	16.00
Q	15.13	15.13	15.75	15.75	16.50
R	5.79	5.79	5.79	5.79	5.79
S	24.45	26.07	26.67	27.65	33.87
T	8.00	8.00	9.00	9.00	10.00
U	8.79	8.79	9.79	9.79	10.79
Z	20.67	20.67	23.17	23.17	24.53
K	21.03	21.03	22.03	22.03	24.03
L	34.34	35.95	36.54	37.52	43.75
Weight (lbs.)					

	LKHPPF-10, -20 LKHPPF-35	LKHPPF -25	LKHPPF -40	LKHPPF-45, -50,-70	LKHPPF-60
<b>DI</b>	2.50	3.00	3.00	4.00	4.00
<b>DII</b>	2.00	2.50	2.00	3.00	4.00
<b>MI</b>	1.12	1.12	1.12	1.12	1.12
<b>MII</b>	1.12	1.12	1.12	1.12	1.12

### Volumetric Flow



### Options

- A. Impeller with reduced diameter.
- B. Motor for other voltage and/or frequency.
- C. Flushed shaft seal.
- D. Caunder connection.

### Ordering

Please state the following when ordering:

- Pump size.
- Connections.
- Impeller diameter.
- Motor size.
- Single or flushed shaft seal.
- Elastomer type
- Optional extras.

### Material grades

- Surface roughness, product wetted parts: unpolished, 32Ra, micro inches (0.8 mm), or higher finishes.
- Seals in Nitrile (NBR/Buna) or Fluorinated rubber (FPM/Viton).

Alfa Laval reserves the right to change specifications without prior notification. ALFA LAVAL is a trademark registered and owned by Alfa Laval Corporate AB.

ESE01946ENUS 1505

© Alfa Laval

### How to contact Alfa Laval

Contact details for all countries are continually updated on our website. Please visit [www.alfalaval.us](http://www.alfalaval.us) to access the information direct.

DISTRIBUTED BY  
**HARCO**  
**ENTERPRISES LTD.**  
 1-800-361-5361