



Since 1964

BREWERY PRESSURE GAUGES CATALOG





Supply House to the Processing Industries Since 1964

Trusted supply house of sanitary processing equipment, parts and supplies for the dairy and food, brewery, beverage and pharmaceutical industries.

Harco Enterprises offers a diverse line of sanitary and hygienic processing equipment, parts and supplies including pumps, sanitary valves, separators, homogenizers, gaskets and fittings, sanitary hoses, and instrumentation as well as a variety of other products from world leading manufacturers such as Alfa Laval, Ampco, Tetra Pak, Burkert, Tri-Clover, Remco, Vikan, Carlisle, Haynes, Strahman, and more.

These products are distributed to dairy, food, beverage processing facilities as well as the pharmaceutical, brewing, and fisheries industries throughout North America.

Many of our products are customized in design due to strict sanitary and hygienic standards, and all are built to stand up to the demands of high production environments. Resourcefulness and quick delivery are important to you, and Harco always provides both.

Check out our large collection of equipment, parts and supplies, including our line of color-coded products available.

Visit our website today at www.harcosupply.com

Brewery Pressure Gauges

SANI-FLOW

The Brewery Pressure Gauge is built to withstand the harshest environments and function for many years with little or no maintenance. Our most economical gauge designed specifically for the brewery industry. Our dedication to quality is not only evident in our products, but also in our customer service. We offer immediate availability on all products at reasonable prices.

FEATURES

316L Stainless Steel Sanitary Fittings & Diaphragm assures maximum corrosion resistance while providing the most sanitary construction possible.

Totally Flush Diaphragm with a mirror-like finish and no sharp corners makes this the industry's most sanitary pressure gauge available.

304 Stainless Steel Case for durability even in the roughest environments.

Polycarbonate Lens is virtually impervious to cracks and breakage.

Waterproof Construction throughout allows gauge to be submersed for cleaning.

C.I.P. - can be cleaned in place for convenience and to eliminate the possibility of damage from mishandling.

Pressure Ranges from 30" Hg vacuum to 1,000 psi.

True Zero with Re-Zero Feature is standard on all gauges.

Unique Pulsation Dampening System eliminates pointer oscillations and insulates the gauge movement from pulsations which shorten the life of an ordinary pressure gauge.

Glycerine Fill is standard to protect the gear mechanism against wear and vibration.

Immediate Availability from stock for all pressure gauges.

Experienced Engineers are available to answer questions and solve difficult application problems.

Unparalleled Customer Service where the customer is always right and we are not happy until the customer is satisfied. No restocking charges plus 30 day no-risk trials are always available.

SPECIFICATIONS

Accuracy	±1.5% of Full Scale
Over Range Capability	+ 25%
Wetted Surfaces	316L Stainless Steel
Surface Finish	R_a max = 32 microinches
Case Material	304 Stainless Steel
Dial Size	2½"(63mm), 4"(100mm) Dia.
Lens Material	Polycarbonate
Temp. Limits	-4°F (-20°C) to 176°F (80°C)*
Standard Fill	Food Grade Glycerine
Re-zero Feature	Standard on Pointer
Shipping Weight	Approx. 3 lbs. (01.3kg)

(1) For higher temperature applications – please consult factory or see website configurator

(2) For other fill options – please consult factory or see website configurator

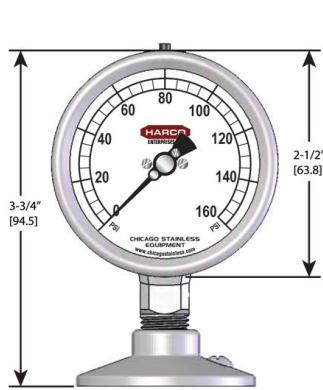
AVAILABLE FITTINGS

Tri-Clamp®.

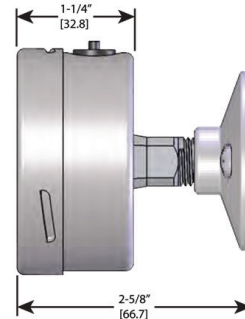
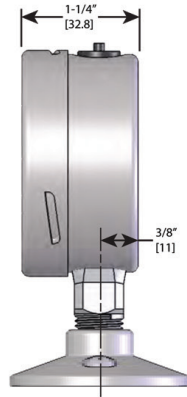
For other fittings please consult Harco.



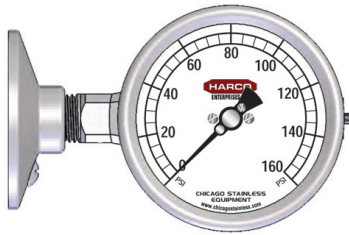
Brewery Pressure Gauges



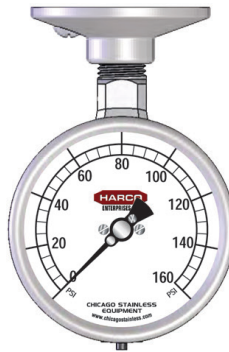
2-1/2" BOTTOM MOUNT
(Shown with 1-1/2" Tri-Clamp)



2-1/2" BACK MOUNT
(Shown with 1-1/2" Tri-Clamp)



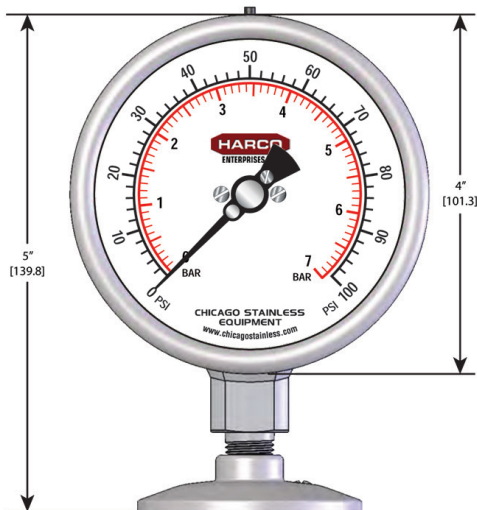
2-1/2" LEFT SIDE MOUNT
(Shown with 1-1/2" Tri-Clamp)



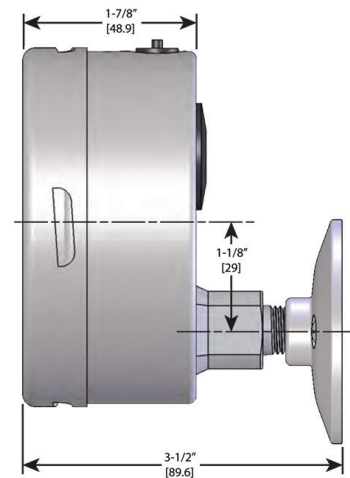
2-1/2" TOP MOUNT
(Shown with 1-1/2" Tri-Clamp)



2-1/2" RIGHT SIDE MOUNT
(Shown with 1-1/2" Tri-Clamp)



4" BOTTOM MOUNT
(Shown with 2" Tri-Clamp)



4" BACK MOUNT
(Shown with 2" Tri-Clamp)

Brewery Pressure Gauges

ORDERING INFORMATION

Below are typical examples of models with their descriptions.

EXAMPLE 1:

2A - E - 2U - GF - BT

Describes a 2½" Brewery Sani-Flow Pressure Gauge, 0 to 160 psi, 2" Tri-clamp fitting, glycerine filled case, bottom mount.

EXAMPLE 2:

4A - E - 2U - GF - BK

Describes a 4" Brewery Sani-Flow Pressure Gauge, 0 to 160 psi, 2" Tri-clamp fitting, glycerine filled case, back mount.

EXAMPLE 3:

2A - M - 1.5U - GF - LF

Describes a 2½" Brewery Sani-Flow Pressure Gauge, 30" Hg to 30 psi, 1½" Tri-clamp fitting, glycerine filled case, left side mount.

EXAMPLE 4:

4A - GK - 1.5U - GF - RT

Describes a 5" Pharma-Flow Pressure Gauge, 0 to 300 psi/0 to 28 Kg/cm², 1½" Tri-clamp fitting, glycerine filled case, right side mount.

MODEL NUMBER CONSISTS OF:

SERIES	PRESSURE RANGE	FITTING	FILLED CASE	MOUNT
2A	D	2U	GF	TM

Please make a selection from each category below:

SERIES

2A 2½" (63mm) Brewery-Flow Pressure Gauge

4A 4" (100mm) Brewery-Flow Pressure Gauge

PRESSURE RANGE*

B 0 to 30 psi (2 BAR)

C 0 to 60 psi (4 BAR)

D 0 to 100 psi (7 BAR)

E 0 to 160 psi (11 BAR)

F 0 to 200 psi (14 BAR)

G 0 to 300 psi (21 BAR)

H 0 to 400 psi (28 BAR)

I 0 to 600 psi (41 BAR)

K 0 to 1,000 psi (70 BAR)

M 30" Hg to 30 psi (-1 to 2 BAR)

N 30" Hg to 60 psi (-1 to 4 BAR)

O 30" Hg to 100 psi (-1 to 7 BAR)

P 30" Hg to 150 psi (-1 to 10 BAR)

Q 30" Hg to 200 psi (-1 to 14 BAR)

R 30" Hg to 300 psi (-1 to 21 BAR)

*Standard scales are in PSI only. For dual scales, after the pressure range add letter B for PSI/BAR, K for PSI/Kg/cm², P for PSI/KPa.

FITTINGS

(Fittings available in 1½", 2")

U Tri-Clamp®

(Specify size, then fitting type such as 1½"U for a 1½" Tri-Clamp fitting.)

FILLED CASE

GF Glycerine Filled

NF No Fill (Dry Case)

04 Other (Specify)

MOUNT

BT Bottom Mount

RT Right Side Mount

LF Left Side Mount

TP Top Mount

BK Back Mount

ALFA LAVAL

- Plate Heat Exchangers
- Valves
- Separators
- Gaskets
- Pumps

Brushes

- Sparta Brushes **Remco**
- Stainless Steel Sponges **Vikan**
- Nylon Scouring Pads
- Squeegees **CARLISLE**
- Janitorial Supplies

bürkert

FLUID CONTROL SYSTEMS

- Sanitary & Utility Valves
- The Universal Control Top For Hygienic Process Valves

Gaskets & Fittings

- Sanitary (Bevel Seat)
- Alloy Products
- Cherry Burrell
- G&H-Clamp & Flat Seat
- John R. Perry Sanitary
- Tri-Clover (Clamp)
- DeLaval
- Clamp Fittings
- Weld Fittings
- NPT Fittings
- S S Tubing

PROTECTS WHAT'S GOOD

Tetra Pak

- Homogenizers & Parts
- Plate Heat Exchangers
- Separators

Hose & Tubing

- Steam Hose
- Instrumentation Tubing
- Sanitary Hose for Food & Beverage Applications
- Food Master Sanitary Hose

Lubricants

- Haynes Sprays
- Lubri-Film
- Petro Gel
- CIP Lube
- Harco HL-7
- Moovit Sprays

Blending & Mixing Systems

- Powder Mixers
- Dry & Liquid Blenders
- Shear Blenders
- Dry Hopping Units
- Twin Screw Pumps

AMPCO APPLIED PRODUCTS

Pails & Utensils

- Stainless Steel Containers
- Stainless Steel Sanitary Pails
- Scoops & Dippers
- H-Duty Sanitary Shovels
- Pitch & Cheese forks and more...

Pumps & Parts

- Alfa Laval
- Ampco
- APV *Repair Service For All Makes.*
- DeLaval
- Fristam
- G&H Centrifugal Pumps and Parts
- Jabsco
- Tetra Pak
- Tri-Clover
- Waukesha

Washdown Equipment

- Mixing Units
- Hose Stations
- Hose Assemblies
- Water Saver Nozzles
- Hose Racks
- Hose Accessories

Strakman ARCHON

Ampco Pumps

- ZP1, ZP2 & ZP3 SERIES Pumps - All Stainless Steel Gear Case!
- LC/LD/LF Series Pumps
- AC + Series Pumps
- Master Distributor for Ampco *Ampco Pump Company*

Thermometers & Gauges

- Thermometers
- Sanitary Instrumentation
- Homogenizer Gauges
- Sani-Flow Gauges
- Digital Thermometers

Tri-Clover Inc.

- Positive Rotary Pumps
- Centrifugal Pumps
- Replacement Parts
- Valves
- Fittings

Miscellaneous

- Cleaners
- Pads & Sponges
- Kettles
- Aprons
- Disinfectant Mats
- Plastic Shovels
- Tools & Accessories
- Recorder Charts
- Pens

Spare Parts for All Makes

- Homogenizers & Parts
- Heat Exchangers
- Pumps
- Valves
- Blenders
- Tuchenhagen

Harco distributes equipment and replacement parts for the following lines: