

HARCO

ENTERPRISES LTD.

Since 1964

HOMOGENIZER PRESSURE GAUGES CATALOG





Supply House to the Processing Industries Since 1964

Trusted supply house of sanitary processing equipment, parts and supplies for the dairy and food, brewery, beverage and pharmaceutical industries.

Harco Enterprises offers a diverse line of sanitary and hygienic processing equipment, parts and supplies including pumps, sanitary valves, separators, homogenizers, gaskets and fittings, sanitary hoses, and instrumentation as well as a variety of other products from world leading manufacturers such as Alfa Laval, Ampco, Tetra Pak, Burkert, Tri-Clover, Remco, Vikan, Carlisle, Haynes, Strahman, and more.

These products are distributed to dairy, food, beverage processing facilities as well as the pharmaceutical, brewing, and fisheries industries throughout North America.

Many of our products are customized in design due to strict sanitary and hygienic standards, and all are built to stand up to the demands of high production environments. Resourcefulness and quick delivery are important to you, and Harco always provides both.

Check out our large collection of equipment, parts and supplies, including our line of color-coded products available.

Visit our website today at www.harcosupply.com

5" Homogenizer Pressure Gauges

SANI-FLOW

The Sani-Flow Homogenizer Pressure Gauge is built to withstand environments from food processing to pharmaceutical plants, and function for many years with little or no maintenance. Our dedication to quality is not only evident in our products, but also in our customer service. We offer immediate availability on all products and respond quickly with quality service at reasonable prices.

FEATURES

316L Stainless Steel Wetted Surfaces to assure maximum corrosion resistance.

304 Stainless Steel Case for durability even in the harshest environments.

Lexan® Lens is virtually impervious to cracks and breakage.

Unique Pulsation Dampening System to insulate the gauge movement punishing pulsations of a homogenizer machine which shorten the life of an ordinary pressure gauge.

Ranges available up to 15,000 psi.

Glycerine Fill is standard to protect the gear mechanism against wear and vibration.

Waterproof Construction throughout to allow gauge to be submersed for cleaning.

C.I.P. - can be cleaned in place for convenience and to eliminate the possibility of damage from mishandling.

250°F Maximum process temperatures (121°C).*

Immediate Availability from stock for all pressure gauges.

True Zero with Re-Zero Feature is standard on all gauges

SPECIFICATIONS

Accuracy	±1% of Full Scale
Over Range Capability	25%
Wetted Surfaces	316L Stainless Steel
Surface Finish (wetted parts)	R _a max = 25 microinches
Case Material	304 Stainless Steel
Dial Size	5" Diameter (120mm)
Lens Material	Lexan® (Polycarbonate)
Temp. Limits	0°F (-18°C) to 250°F (121°C)*
Standard Fill	Food Grade Glycerine
Rezero Feature	Standard on Pointer
Shipping Weight	Approx. 7 lbs. (3.2kg)

*For high temperature applications please consult factory.

Lexan® is a registered trademark of General Electric.

AVAILABLE RANGES (psi)

0 - 1,000 psi 0 - 5,000 psi 0 - 10,000 psi
 0 - 2,500 psi 0 - 7,500 psi 0 - 15,000 psi
 0 - 3,000 psi

Standard scales are in PSI only, dual PSI/BAR and other scales available upon request.

AVAILABLE FITTINGS

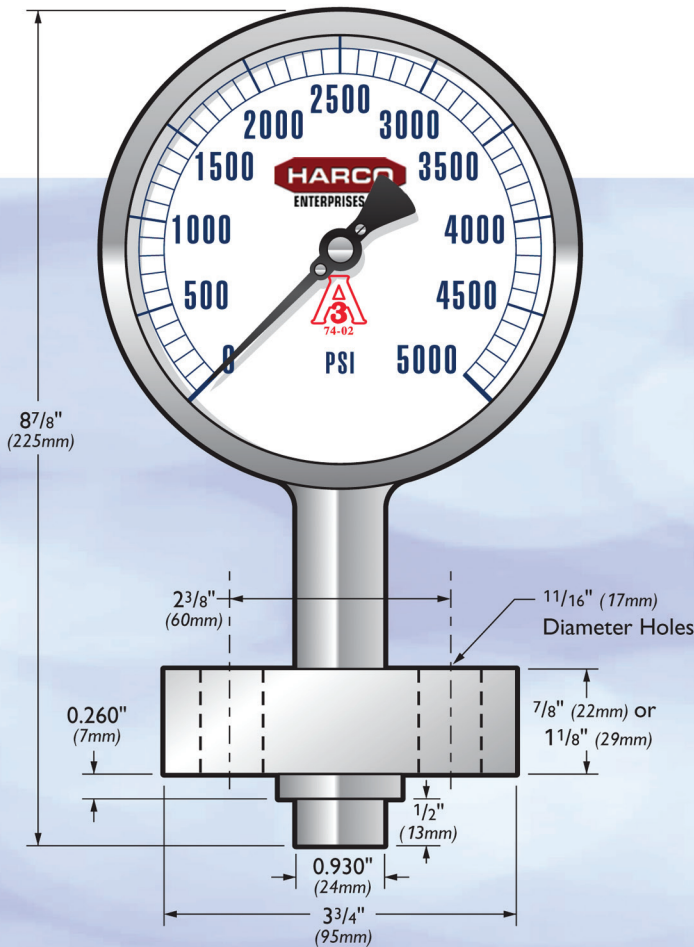
7/8" Thick 2 Bolt Flange, 1-1/8" Thick 2 Bolt Flange, Waukesha 1/2" Thick 4 Bolt Flange, Waukesha 3/4" Thick 4 Bolt Flange, 1.66" Thick Laboratory Homogenizer Flange. Also available without flange.



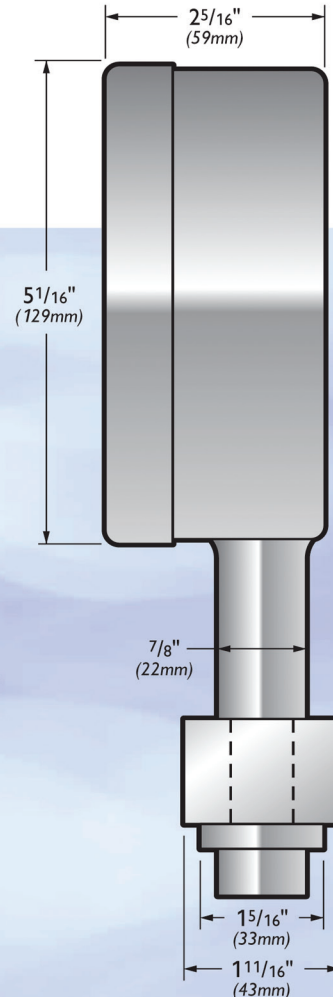
5" Homogenizer Pressure Gauges

FRONT VIEW

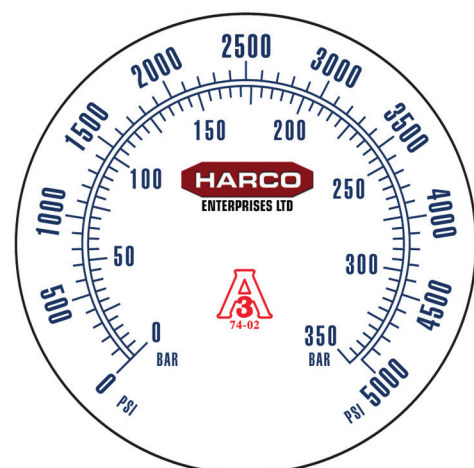
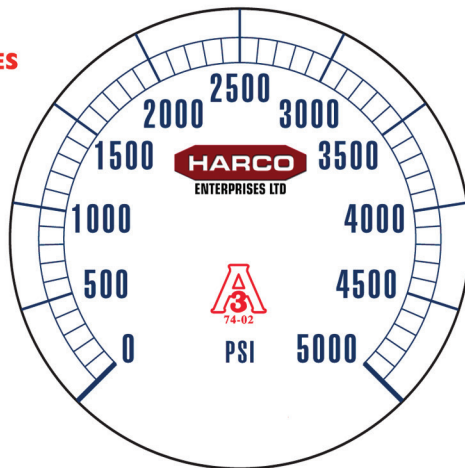
(shown with 2 bolt flange)



SIDE VIEW



TYPICAL DIAL FACES



Pharmaceutical Pressure Gauges

ORDERING INFORMATION

Below are typical examples of models with their descriptions.

EXAMPLE 1:

5H - V - 03

Describes a 5" Sani-Flow Homogenizer Pressure Gauge, 0 to 5,000 psi, a 1-1/8" thick flange, and a glycerine filled case.

EXAMPLE 2:

5H - WB - 01

Describes a 5" Sani-Flow Homogenizer Pressure Gauge, dual scale 0 to 10,000 psi/ 0 to 700 BAR, no flange, and a glycerine filled case.

MODEL NUMBER CONSISTS OF:

SERIES	PRESSURE RANGE	FLANGE
5H	V	03

Please make a selection from each category below:

SERIES

5H 5" Sani-Flow Homogenizer Pressure Gauge

PRESSURE RANGE*

K 0 to 1,000 psi (70 BAR)

T 0 to 2,500 psi (170 BAR)

U 0 to 3,000 psi (205 BAR)

V 0 to 5,000 psi (350 BAR)

Y 0 to 7,500 psi (520 BAR)

W 0 to 10,000 psi (700 BAR)

X 0 to 15,000 psi (1000 BAR)

FLANGE

01 No Flange

02 7/8" Thick 2 Bolt Flange

03 1-1/8" Thick 2 Bolt Flange

04 Waukesha 1/2" Thick 4 Bolt Flange

05 Waukesha 3/4" Thick 4 Bolt Flange

09 1.66" Thick Laboratory Homogenizer Flange

*Standard scales are in PSI only. For dual scales, after the pressure range add letter B for PSI/BAR, K for PSI/Kg/cm², P for PSI/KPa (see examples in column).

ALFA LAVAL

- Plate Heat Exchangers
- Valves
- Separators
- Gaskets
- Pumps

Brushes

- Sparta Brushes **Remco**
- Stainless Steel Sponges **Vikan**
- Nylon Scouring Pads
- Squeegees **CARLISLE**
- Janitorial Supplies

bürkert

FLUID CONTROL SYSTEMS

- Sanitary & Utility Valves
- The Universal Control Top For Hygienic Process Valves

Gaskets & Fittings

- Sanitary (Bevel Seat)
- Alloy Products
- Cherry Burrell
- G&H-Clamp & Flat Seat
- John R. Perry Sanitary
- Tri-Clover (Clamp)
- DeLaval
- Clamp Fittings
- Weld Fittings
- NPT Fittings
- S S Tubing

PROTECTS WHAT'S GOOD

Tetra Pak

- Homogenizers & Parts
- Plate Heat Exchangers
- Separators

Hose & Tubing

- Steam Hose
- Instrumentation Tubing
- Sanitary Hose for Food & Beverage Applications
- Food Master Sanitary Hose

NOVAFLEX **Gates**

Lubricants

- Haynes Sprays
- Lubri-Film
- Petro Gel
- CIP Lube
- Harco HL-7
- Moovit Sprays

HAYNES LUBRICANTS

Blending & Mixing Systems

- Powder Mixers
- Dry & Liquid Blenders
- Shear Blenders
- Dry Hopping Units
- Twin Screw Pumps

AMPCO APPLIED PRODUCTS

Pails & Utensils

- Stainless Steel Containers
- Stainless Steel Sanitary Pails
- Scoops & Dippers
- H-Duty Sanitary Shovels
- Pitch & Cheese forks and more...

Pumps & Parts

- Alfa Laval
- Ampco
- APV *Repair Service For All Makes.*
- DeLaval
- Fristam
- G&H Centrifugal Pumps and Parts
- Jabsco
- Tetra Pak
- Tri-Clover
- Waukesha

Washdown Equipment

- Mixing Units
- Hose Stations
- Hose Assemblies
- Water Saver Nozzles
- Hose Racks
- Hose Accessories

Strakman ARCHON

Ampco Pumps

- ZP1, ZP2 & ZP3 SERIES Pumps - All Stainless Steel Gear Case!
- LC/LD/LF Series Pumps
- AC + Series Pumps
- Master Distributor for Ampco *Ampco Pump Company*

Thermometers & Gauges

- Thermometers
- Sanitary Instrumentation
- Homogenizer Gauges
- Sani-Flow Gauges
- Digital Thermometers

Tri-Clover Inc.

- Positive Rotary Pumps
- Centrifugal Pumps
- Replacement Parts
- Valves
- Fittings

Miscellaneous

- Cleaners
- Pads & Sponges
- Kettles
- Aprons
- Disinfectant Mats
- Plastic Shovels
- Tools & Accessories
- Recorder Charts
- Pens

Spare Parts for All Makes

- Homogenizers & Parts
- Heat Exchangers
- Pumps
- Valves
- Blenders
- Tuchenhagen

Harco distributes equipment and replacement parts for the following lines: