



# SANITARY PRESSURE GAUGES CATALOG

*Since 1964*





# Supply House to the Processing Industries Since 1964

**Trusted supply house of sanitary processing equipment, parts and supplies for the dairy and food, brewery, beverage and pharmaceutical industries.**

Harco Enterprises offers a diverse line of sanitary and hygienic processing equipment, parts and supplies including pumps, sanitary valves, separators, homogenizers, gaskets and fittings, sanitary hoses, and instrumentation as well as a variety of other products from world leading manufacturers such as Alfa Laval, Ampco, Tetra Pak, Burkert, Tri-Clover, Remco, Vikan, Carlisle, Haynes, Strahman, and more.

These products are distributed to dairy, food, beverage processing facilities as well as the pharmaceutical, brewing, and fisheries industries throughout North America.

Many of our products are customized in design due to strict sanitary and hygienic standards, and all are built to stand up to the demands of high production environments. Resourcefulness and quick delivery are important to you, and Harco always provides both.

Check out our large collection of equipment, parts and supplies, including our line of color-coded products available.

**Visit our website today at [www.harcosupply.com](http://www.harcosupply.com)**

# Sanitary Pressure Gauges

## SANI-FLOW

The Sani-Flow Pressure Gauge is built to withstand the harshest environments and function for many years with little or no maintenance. Our dedication to quality is not only evident in our products, but also in our customer service. We offer immediate availability on all products at reasonable prices.

### FEATURES

**316L Stainless Steel Sanitary Fittings & Diaphragm** assures maximum corrosion resistance while providing the most sanitary construction possible.

**304 Stainless Steel Case** for durability even in the harshest environments.

**Polycarbonate Lens** is virtually impervious to cracks and breakage.

**Waterproof Construction** throughout allows gauge to be submersed for cleaning.

**C.I.P.** - can be cleaned in place for convenience and to eliminate the possibility of damage from mishandling.

**Pressure Ranges** from 30" Hg vacuum to 1,000 psi.

**Recessed Diaphragm** helps to protect sensitive diaphragm from physical abuse.

**True Zero with Re-Zero Feature** is standard on all gauges.

**Unique Pulsation Dampening System** to insulate the gauge movement from punishing pulsations which shorten the life of an ordinary pressure gauge.

**Glycerine Fill** is standard to protect the gear mechanism against wear and vibration.

**500°F Maximum** process temperatures (260°C)\*.

**Immediate Availability** from stock for all pressure gauges.

**Experienced Engineers** are available to answer questions and solve difficult application problems.

**Unparalleled Customer Service** where the customer is always right and we are not happy until the customer is satisfied. No restocking charges plus 30 day no-risk trials are always available.

### SPECIFICATIONS

|                               |                                     |
|-------------------------------|-------------------------------------|
| Accuracy                      | ±1.5% of Full Scale                 |
| Over Range Capability         | 30%                                 |
| Wetted Surfaces               | 316L Stainless Steel                |
| Surface Finish (wetted parts) | R <sub>a</sub> max = 25 microinches |
| Case Material                 | 304 Stainless Steel                 |
| Dial Size                     | 3-1/2"(90mm) or 5"(120mm) Dia.      |
| Lens Material                 | (Polycarbonate)                     |
| Temp. Limits                  | 0°F (-18°C) to 250°F (121°C)*       |
| Standard Fill                 | Food Grade Glycerine                |
| Rezero Feature                | Standard on Pointer                 |
| Shipping Weight               | Approx. 3 lbs. (1.3kg)              |

\*For high temperature applications please consult factory.

Tri-Clamp® is a registered trademark of Tri-Clover, Inc.

Teflon® is a registered trademark of E. I. du Pont de Nemours and Company or its affiliates.

### AVAILABLE RANGES (psi)

|          |            |           |
|----------|------------|-----------|
| 0 to 30  | 0 to 300   | 30"-0-60  |
| 0 to 60  | 0 to 400   | 30"-0-100 |
| 0 to 100 | 0 to 600   | 30"-0-150 |
| 0 to 160 | 0 to 1,000 | 30"-0-200 |
| 0 to 200 | 30"-0-30   | 30"-0-300 |

Standard scales are in PSI only, dual PSI/BAR and other scales available upon request.

### AVAILABLE FITTINGS

Tri-Clamp®, Bevel Seat, Cherry-Burrell "I" Line, Cherry-Burrell "Q", APC, APV, G & H "H" Line, DIN, ISS, RJT, SMS, Westfalia.

For other fittings please consult Harco.

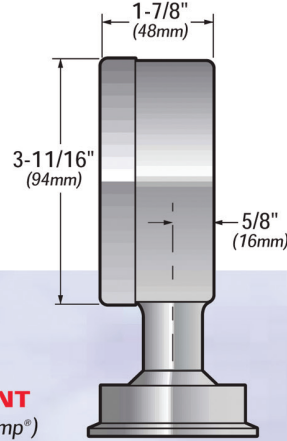
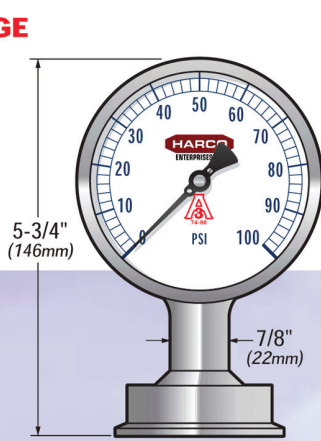


# Sanitary Pressure Gauges

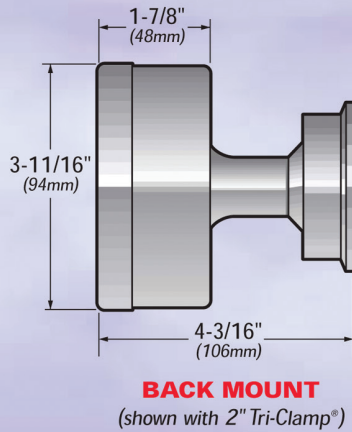
## DRAWINGS

### 3-1/2" GAUGE

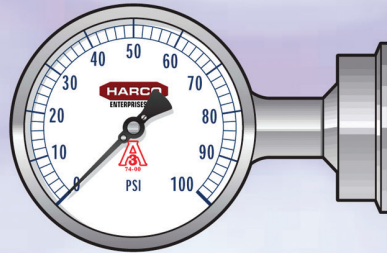
(90mm)



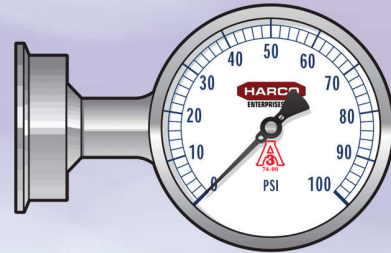
**BOTTOM MOUNT**  
(shown with 2" Tri-Clamp®)



**BACK MOUNT**  
(shown with 2" Tri-Clamp®)



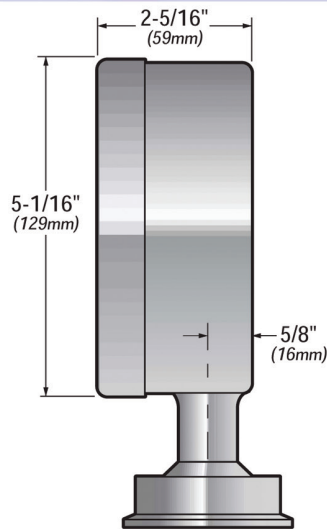
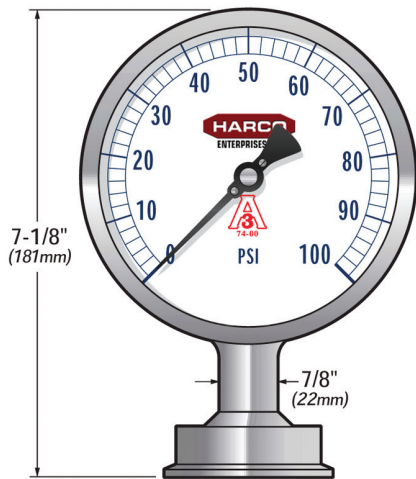
**RIGHT SIDE MOUNT**  
(shown with 2" Tri-Clamp®)



**LEFT SIDE MOUNT**  
(shown with 2" Tri-Clamp®)

### 5" GAUGE

(120mm)



# Sanitary Pressure Gauges

## ORDERING INFORMATION

Below are typical examples of models with their descriptions.

### EXAMPLE 1:

#### 3S - E - 2U - GF - BT - SS

Describes a 3½" Sani-Flow Pressure Gauge, 0 to 160 psi, 2" Tri-clamp fitting, glycerine filled case, bottom mount, and a stainless steel diaphragm.

### EXAMPLE 2:

#### 3S - DB - 15U - GF - BK - SS

Describes a 3½" Sani-Flow Pressure Gauge, 0 to 100 psi/0 to 7 BAR, 1½" Tri-clamp fitting, glycerine filled case, back mount, and a stainless steel diaphragm.

### EXAMPLE 3:

#### 3S - M - 2S - GF - BT - TF

Describes a 3½" Sani-Flow Pressure Gauge, 30" Hg to 30 psi, 2" bevel seat threaded fitting, glycerine filled case, bottom mount, and a Teflon® diaphragm.

### EXAMPLE 4:

#### 5S - GK - 25I - GF - RT - SS

Describes a 5" Sani-Flow Pressure Gauge, 0 to 300 psi/0 to 28 Kg/cm², 2½" male I-line fitting, glycerine filled case, right side mount, and a stainless steel diaphragm.

### MODEL NUMBER CONSISTS OF:

| SERIES | PRESSURE RANGE | FITTING | FILLED CASE | MOUNT | DIAPHRAGM MATERIAL |
|--------|----------------|---------|-------------|-------|--------------------|
| 3B     | T67            | 2U      | BK          | L4.5  | 3/8                |

Please make a selection from each category below:

#### SERIES

**3S** 3½" Sani-Flow Pressure Gauge

**3S** 5" Sani-Flow Pressure Gauge

#### PRESSURE RANGE\*

**B** 0 to 30 psi (2 BAR)

**C** 0 to 60 psi (4 BAR)

**D** 0 to 100 psi (7 BAR)

**E** 0 to 160 psi (11 BAR)

**F** 0 to 200 psi (14 BAR)

**G** 0 to 300 psi (21 BAR)

**H** 0 to 400 psi (28 BAR)

**I** 0 to 600 psi (41 BAR)

**K** 0 to 1,000 psi (70 BAR)

**M** 30" Hg to 30 psi (-1 to 2 BAR)

**N** 30" Hg to 60 psi (-1 to 4 BAR)

**O** 30" Hg to 100 psi (-1 to 7 BAR)

**P** 30" Hg to 150 psi (-1 to 10 BAR)

**Q** 30" Hg to 200 psi (-1 to 14 BAR)

**R** 30" Hg to 300 psi (-1 to 21 BAR)

\*Standard scales are in PSI only. For dual scales, after the pressure range add letter B for PSI/BAR, K for PSI/Kg/cm², P for PSI/KPa.

#### FITTINGS

(Fittings available in 1½", 2", 2½", 3")

**H** G&H "H" Line Male

**I** Cherry-Burrell Male I-Line

**J** Cherry-Burrell Female I-Line

**K** APC "K" Clamp

**N** ISS

**Q** Cherry-Burrell "Q"

**R** RJT

**S** #15 Bevel Seat Sanitary Male Thread

**T** #13H Captive Nut & #14 Bevel Seat

**U** Tri-Clamp®

**V** #15 APV Gasket Seat Sanitary Male Thread

**W** #13H Captive Nut & #14 APV Gasket Seat

**X** APC-PV Gasket Seat w/#13H Captive Nut

**Y** APC #15 Threaded Male

**DIN** DIN according to DIN 11851 (specify DIN40 or DIN50)

**SMS** SMS (specify SMS38 or SMS51)

(Specify size, then fitting type such as 1½"U for a 1½" Tri-Clamp fitting.)

#### FILLED CASE

**GF** Glycerine Filled

**NF** No Fill (Dry Case)

**O4** Other (Specify)

#### MOUNT

**BT** Bottom Mount

**RT** Right Side Mount

**LF** Left Side Mount

**TP** Top Mount

**BK** Back Mount

#### DIAPHRAGM MATERIAL

**SS** Stainless Steel

**TF** Teflon®

### ALFA LAVAL

- Plate Heat Exchangers
- Valves
- Separators
- Gaskets
- Pumps

### Brushes

- Sparta Brushes **Remco**
- Stainless Steel Sponges **Vikan**
- Nylon Scouring Pads
- Squeegees **CARLISLE**
- Janitorial Supplies

### bürkert

FLUID CONTROL SYSTEMS

- Sanitary & Utility Valves
- The Universal Control Top For Hygienic Process Valves

### Gaskets & Fittings

- Sanitary (Bevel Seat)
- Alloy Products
- Cherry Burrell
- G&H-Clamp & Flat Seat
- John R. Perry Sanitary
- Tri-Clover (Clamp)
- DeLaval
- Clamp Fittings
- Weld Fittings
- NPT Fittings
- S S Tubing

PROTECTS WHAT'S GOOD

### Tetra Pak

- Homogenizers & Parts
- Plate Heat Exchangers
- Separators

### Hose & Tubing

- Steam Hose
- Instrumentation Tubing
- Sanitary Hose for Food & Beverage Applications
- Food Master Sanitary Hose

### Lubricants

- Haynes Sprays
- Lubri-Film
- Petro Gel
- CIP Lube
- Harco HL-7
- Moovit Sprays

### Blending & Mixing Systems

- Powder Mixers
- Dry & Liquid Blenders
- Shear Blenders
- Dry Hopping Units
- Twin Screw Pumps

### Pails & Utensils

- Stainless Steel Containers
- Stainless Steel Sanitary Pails
- Scoops & Dippers
- H-Duty Sanitary Shovels
- Pitch & Cheese forks and more...

### Pumps & Parts

- Alfa Laval
- Ampco
- APV *Repair Service For All Makes.*
- DeLaval
- Fristam
- G&H Centrifugal Pumps and Parts
- Jabsco
- Tetra Pak
- Tri-Clover
- Waukesha

### Washdown Equipment

- Mixing Units
- Hose Stations
- Hose Assemblies
- Water Saver Nozzles
- Hose Racks
- Hose Accessories

### Ampco Pumps

- ZP1, ZP2 & ZP3 SERIES Pumps - All Stainless Steel Gear Case!
- LC/LD/LF Series Pumps
- AC + Series Pumps
- Master Distributor for Ampco *Ampco Pump Company*

### Thermometers & Gauges

- Thermometers
- Sanitary Instrumentation
- Homogenizer Gauges
- Sani-Flow Gauges
- Digital Thermometers

### Tri-Clover Inc.

- Positive Rotary Pumps
- Centrifugal Pumps
- Replacement Parts
- Valves
- Fittings

### Miscellaneous

- Cleaners
- Pads & Sponges
- Kettles
- Aprons
- Disinfectant Mats
- Plastic Shovels
- Tools & Accessories
- Recorder Charts
- Pens

### Spare Parts for All Makes

- Homogenizers & Parts
- Heat Exchangers
- Pumps
- Valves
- Blenders
- Tuchenhagen

**Harco distributes equipment and replacement parts for the following lines:**