

TVSEC-Series Stainless Steel Air and Vacuum Relief Tank Vent Valve



When filling or emptying a tank this valve relieves pressure or vacuum and seals under equal pressure. In addition, it includes an external stainless screen that protects against larger particulates from entering the tank. It includes a 1/4" FNPT port that allows inert gas to be pumped into the tank.

Application

- They are most prominent in the winery and brewery markets.

Sizes

- 2", 3", and 4"

Features

- Triple action functionality
 - Valve relieves pressure as the fluid level rises while filling a tank
 - Valve relieves vacuum as the fluid level drops while emptying a tank
 - Seals under equal pressure
- Stainless steel screen surrounds the entire vacuum and pressure flow area
- 1/4" FNPT connection for gas inlet; plug also supplied

Specifications

- Standard clamp connection
- Tank vent data
 - Vacuum break: **2" water column (0.1 PSI)**
 - Pressure relief: **22" water column (0.8 PSI)**
 - Maximum tank fill and evacuation rate: **250 GPM**
 - Maximum operating temperature: **120°F (49°C)**
 - Minimum operating temperature: **40°F (4.4°C)**
- Materials of construction
 - Product contact metal components: **304 stainless steel**
 - Non-product contact metal components: **304 stainless steel**
 - Product contact seals: **EPDM**
 - Gas inlet purge plug: **Nylon**
- Surface finish
 - Product contact metal components: **Ra ≤ 32**
- Screen technical data:
 - Surface area of the open holes: **3.2in² +/- 0.2in²**
 - Surface area of the open holes and screen: **20in²**
 - Hole diameter: **0.03"**

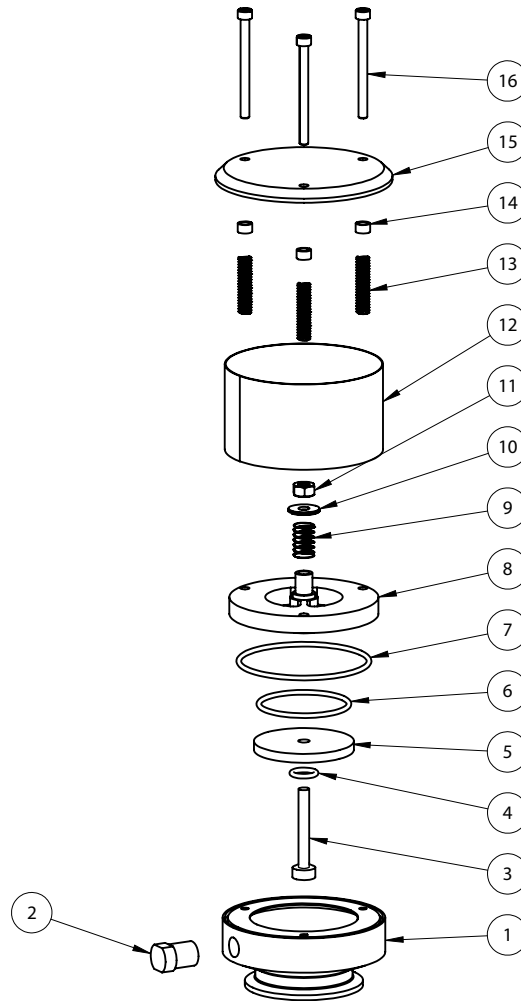
NOTE: This valve has been designed as a secondary pressure and vacuum relief vent. Always open the upper manhole whenever a product is being transferred in excess of **250 GPM**. Dixon Sanitary assumes no liability for tank damage or product loss. Designed for indoor use.



TVSEC-Series Air and Vacuum Relief Tank Vent Valve - Part Number Table

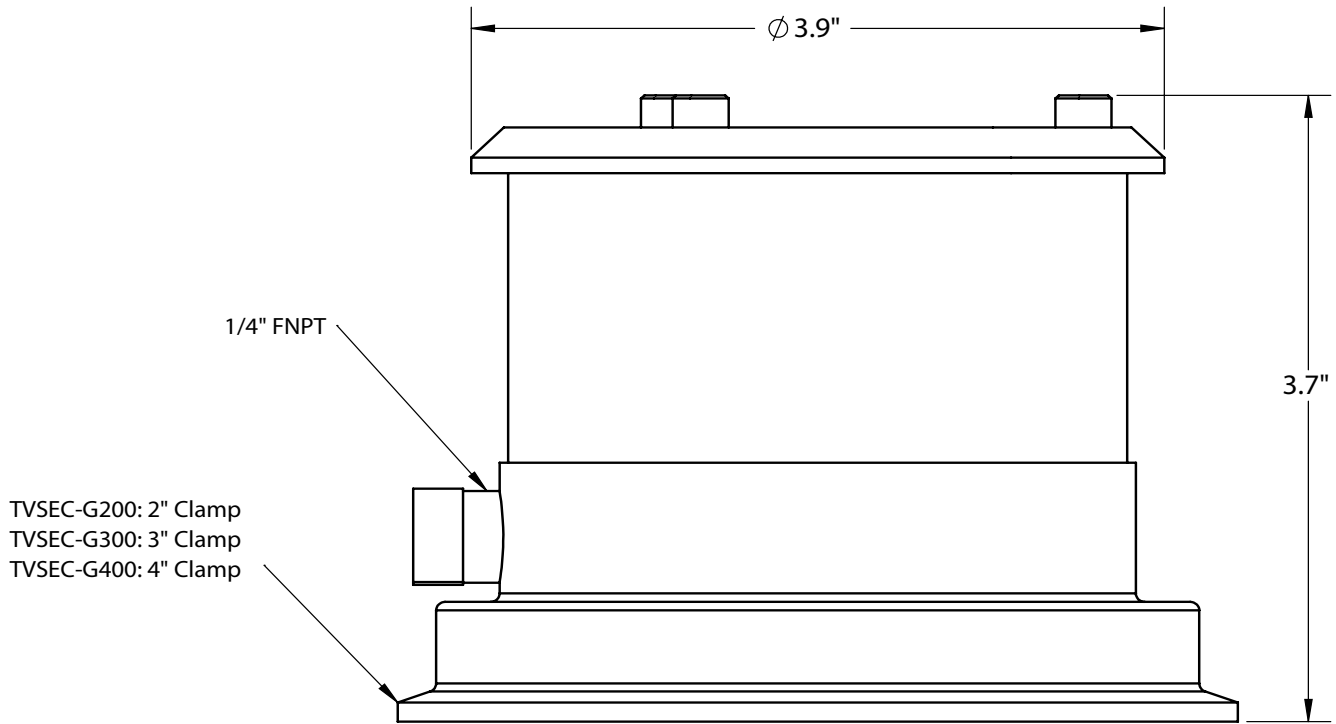
Tube O.D.	Dimension A (in)	304 Stainless Steel Part #
2"	2.52	TVSEC-G200
3"	3.58	TVSEC-G300
4"	4.68	TVSEC-G400

TVSEC-Series Stainless Steel Air and Vacuum Relief Tank Vent Valve - Bill of Materials



Item	Valve Size	Part #	Description	Material	Qty
1	2"	TVSEC-1-200	2" body	304 stainless steel	1
	3"	TVSEC-1-300	3" body		
	4"	TVSEC-1-400	4" body		
2	all	TVSEC-2	plug	PVC	1
3	all	TVSEC-3	vacuum bolt	304 stainless steel	1
4	all	TVSEC-4E	vacuum bolt O-ring	EPDM	1
5	all	TVSEC-5	vacuum disc	304 stainless steel	1
6	all	TVSEC-6E	vacuum disc O-ring	EPDM	1
7	all	TVSEC-7E	pressure plate O-ring	EPDM	1
8	all	TVSEC-8	pressure plate	304 stainless steel	1
9	all	TVSEC-9	vacuum spring	304 stainless steel	1
10	all	TVSEC-10	flat washer	304 stainless steel	1
11	all	TVSEC-11	nut	304 stainless steel	1
12	all	TVSEC-12	screen	304 stainless steel	1
13	all	TVSEC-13	pressure plate springs	304 stainless steel	3
14	all	TVSEC-14	spacers	304 stainless steel	3
15	all	TVSEC-15	cover	304 stainless steel	1
16	all	TVSEC-16	cover screws	304 stainless steel	3

TVSEC-Series Stainless Steel Air and Vacuum Relief Tank Vent Valve - Dimensions



TVSEC-Series Stainless Steel Air and Vacuum Relief Tank Vent Valve - Repair Kits

Tank Vent Repair Kit

Part #	Description	Qty
TVSEC-RK	304 stainless steel vacuum bolt	1
	EPDM vacuum bolt O-ring	1
	EPDM vacuum disc O-ring	1
	EPDM pressure plate O-ring	1
	vacuum spring	1
	304 stainless steel flat washer	1
	304 stainless steel nut	1
	304 stainless steel pressure plate springs	3
	304 stainless steel spacers	3
	304 stainless steel cover screws	3



Tank Vent O-Ring Kit

Part #	Description	Qty
TVSEC-OKIT-E	EPDM vacuum bolt O-ring	1
	EPDM vacuum disc O-ring	1
	EPDM pressure plate O-ring	1



Limited Warranty

DIXON VALVE & COUPLING COMPANY, LLC (herein called "Dixon") warrants the products described herein and manufactured by Dixon to be free from defects in material and workmanship for a period of one (1) year from date of shipment by Dixon under normal use and service. Its sole obligation under this warranty being limited to repairing or replacing, as hereinafter provided, at its option any product found to Dixon's satisfaction to be defective upon examination by it, provided that such product shall be returned for inspection to Dixon's factory within three (3) months after discovery of the defect. The repair or replacement of defective products will be made without charge for parts or labor. This warranty shall not apply to: (a) parts or products not manufactured by Dixon, the warranty of such items being limited to the actual warranty extended to Dixon by its supplier; (b) any product that has been subject to abuse, negligence, accident, or misapplication; (c) any product altered or repaired by others than Dixon; and (d) normal maintenance services and the replacement of service items (such as washers, gaskets, and lubricants) made in connection with such services. To the extent permitted by law, this limited warranty shall extend only to the buyer and any other person reasonably expected to use or consume the goods who is injured in person by any breach of the warranty. No action may be brought against Dixon for an alleged breach of warranty unless such action is instituted within one (1) year from the date the cause of action accrues. This limited warranty shall be construed and enforced to the fullest extent allowable by applicable law.

Other than the obligation of Dixon set forth herein, Dixon disclaims all warranties, express or implied, including but not limited to any implied warranties of merchantability or fitness for a particular purpose, and any other obligation or liability. The foregoing constitutes Dixon's sole obligation with respect to damages, whether direct, incidental, or consequential, resulting from the use or performance of the product.

Some products and sizes may be discontinued when stock is depleted or may require a minimum quantity for ordering.

Limits of Liability

This brochure is intended as a product offering. It is not intended to be a user or technical manual. Information in this brochure is subject to change without notice. All users and distributors of products sold through this brochure should contact Dixon with questions of use, compatibilities, coupling procedures, and life of product. Our full-time engineering and test staff are always available to recommend uses and to assist distributors and users with any questions.



Safety



Safety logos, which appear throughout our catalog, are used as a reminder that the user should carefully review for the appropriateness of the product for the media, application, and environment in which it will be used.

NOTE: Because of the health hazards associated with contamination and lead content in drinking water systems, Dixon couplings, unless otherwise specifically approved, are not recommended for potable water service and should not be used in applications where drinking water will contact the wetted surfaces of the coupling.

All Dixon products are shipped in cartons with the following warning:

"WARNING: This product contains lead, a chemical known to the State of California to cause cancer and birth defects or other reproductive harm."

Trademark

Delrin® and Zytel® are registered trademarks of E.I. duPont Nemours and Company.

Kalrez® is a registered trademark of DuPont Dow Elastomers.

All other trademarks appearing in the Dixon illustrated product list are the property of their respective owners.

Copyright

Copyright © 2023 by Dixon Valve & Coupling Company, LLC

All rights reserved. This book is copyrighted material. Use, reproduction or copying of it by anyone other than Dixon® is strictly forbidden without its express written consent.

NOTE: Reasonable care has been taken in preparing this catalog. Dixon Valve & Coupling Company, LLC reserves the right to make corrections.

