



## Sampling Valve

33 Series

### Application

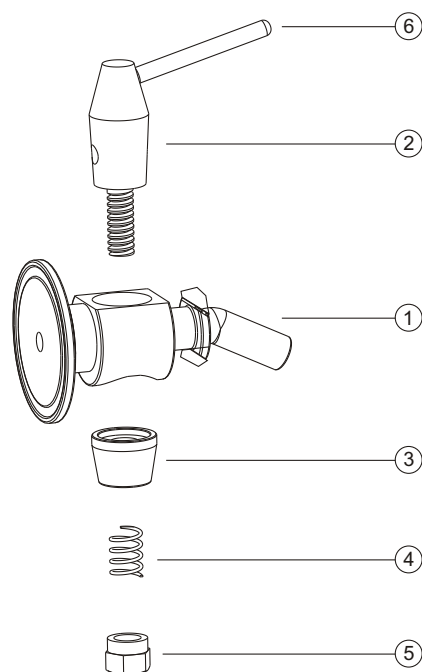
Stainless steel hygienic sampling valves are used in the food, dairy, brewery, winery and many other hygienic industries. Sampling valves are used in piping systems or on tanks.

### Working Principle

A simple quarter turn handle allows for quick and easy sampling.

### Standard Design

The Sampling valve consists of a valve body and plug made from quality 304L or 316L stainless steel. The plug is coated with a hard chrome coating followed by precision grinding and lapping to ensure leak proof and easy operations.



Exploded view of standard Sampling Valve

NO.	PART NO.	DESCRIPTION	MATERIAL
1	3301	BODY	AISI 304L / 316L
2	3302	PLUG	AISI 304L / 316L
3	3303	SPRING HOUSING	AISI 304
4	3304	SPRING	AISI 304
5	3305	NYLOCNUT	AISI 304 / NYLON
6	3306	HANDLE	AISI 304



30271 Tomas Street • Rancho Santa Margarita, CA 92688 • Tel. 949/589-3978 • Fax 949/589-3979

Email : [cipriani@ciprianicorp.com](mailto:cipriani@ciprianicorp.com) • Website : <http://www.ciprianicorp.com/>

# Sampling Valve

33 Series

## Technical Specification

### Material :

Product wetted steel parts.....AISI 304L or AISI 316L  
 Other steel parts.....AISI 304

### Nominal Pressure :

Maximum product pressure.....30 PSI maximum (2 Bars)

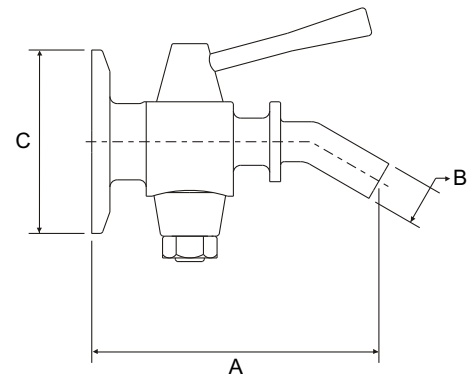
### Temperature & Chemical Compatibility :

All stainless steel construction with no internal seats.

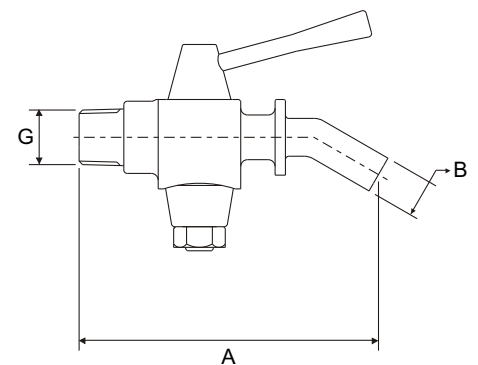
**Connections** .....1" Sanitary Clamp (ISO 2852 / BS 4825-3)  
 Optional .....3/8" MNPT  
 .....1/2" MNPT

**Surface Finish** : Machined to a Ra <= 32 μ in or better

## Dimensions (Inches)

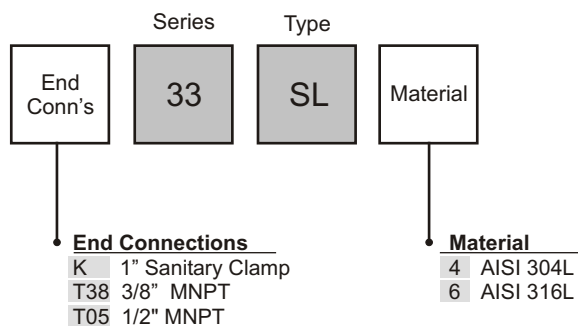


A	B	C
3 3/16"	7/16"	1"



A	B	G
3 1/2"	7/16"	3/8" MNPT
3 1/2"	7/16"	1/2" MNPT

## 33 Series Sampling Valve Ordering System



**Cipriani Harrison Valves Corp.**

30271 Tomas Street • Rancho Santa Margarita, CA 92688 • Tel. 949/589-3978 • Fax 949/589-3979  
 Email : cipriani@ciprianicorp.com • Website : <http://www.ciprianicorp.com/>