



Sampling Valve 34 Series

Stainless steel construction machined from solid bar stock with all surfaces machined & polished to 32Ra or Better.

The design of valve is self draining hence no retention of product or CIP solution in the valve.

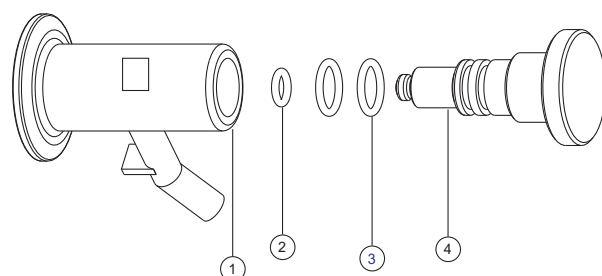
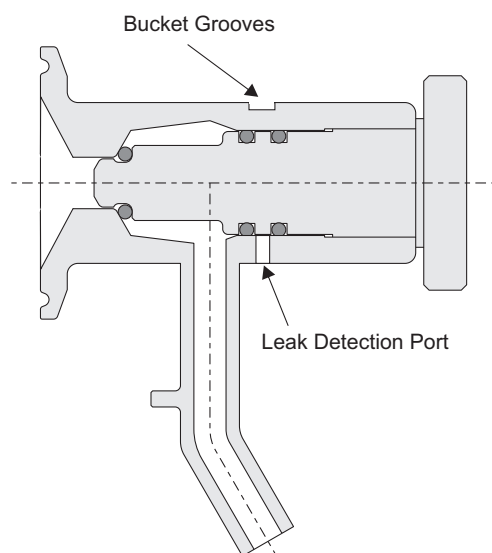
Quick disassembly for inspection and cleaning.

Vessel connection : 1/2" MNPT, 1/2" sanitary clamp, or 1" sanitary clamp.

Optional : SIP steam or water flush connection

Maximum product pressure : 147 PSI maximum (10 Bars)
Test pressure 175 PSI

Maximum temperature : 450° F (230° C)



Exploded view of standard Sampling Valve

NO.	PART NO.	DESCRIPTION	MATERIAL
1	3401	BODY	AISI 316L / AISI 304L
2	3402	SEAT	PTFE
3	3403	O'RING	SILICONE
4	3404	PLUNGER	AISI 316L / AISI 304L



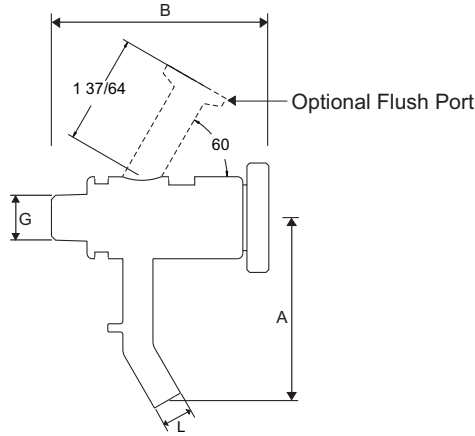
30271 Tomas Street • Rancho Santa Margarita, CA 92688 • Tel. 949/589-3978 • Fax 949/589-3979

Email : cipriani@ciprianicorp.com • Website : <http://www.ciprianicorp.com/>

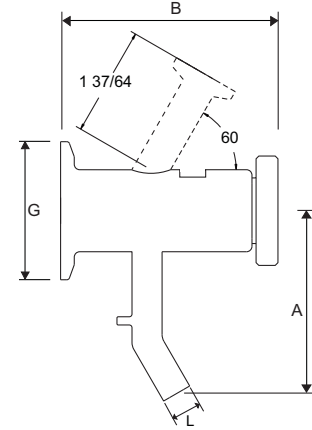
Sampling Valve

34 Series

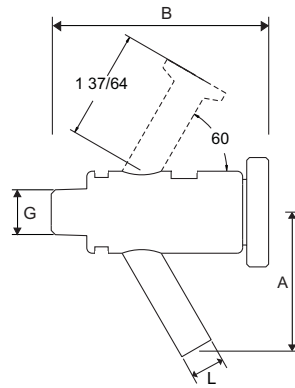
Dimensions (Inches)



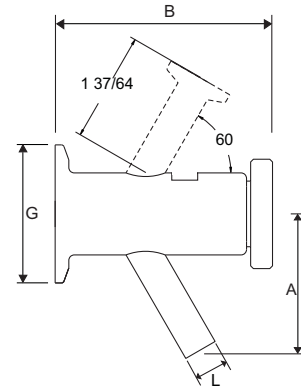
A	B	G	L
2 5/8"	3 1/8"	1/2" NPT	1/4" ID x 13/32" OD



A	B	G	L
2 5/8"	3 1/8"	1" TC	1/4" ID x 13/32" OD

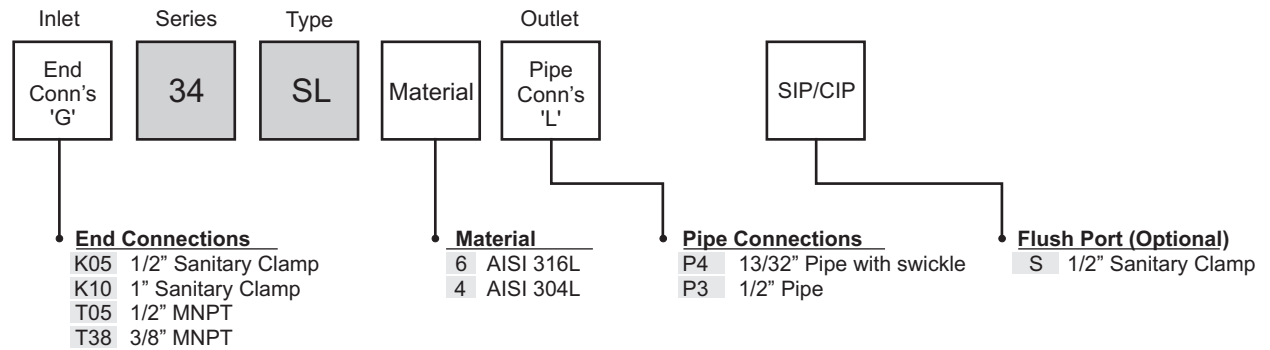


A	B	G	L
2"	3 1/8"	1/2" NPT	3/8" ID x 1/2" OD



A	B	G	L
2"	3/18"	1" TC	3/8" ID x 1/2" OD

34 Series Sampling Valve Ordering System



30271 Tomas Street • Rancho Santa Margarita, CA 92688 • Tel. 949/589-3978 • Fax 949/589-3979

Email : cipriani@ciprianicorp.com • Website : <http://www.ciprianicorp.com/>