

**HARCO**

**ENTERPRISES LTD.**

*Since 1964*

STAINLESS STEEL  
PAILS & UTENSILS  
CATALOG



[www.harcosupply.com](http://www.harcosupply.com)





# Supply House to the Processing Industries Since 1964

**Trusted supply house of sanitary processing equipment, parts and supplies for the dairy and food, brewery, beverage and pharmaceutical industries.**

Harco Enterprises offers a diverse line of sanitary and hygienic processing equipment, parts and supplies including pumps, sanitary valves, separators, homogenizers, gaskets and fittings, sanitary hoses, and instrumentation as well as a variety of other products from world leading manufacturers such as Alfa Laval, Ampco, Tetra Pak, Burkert, Tri-Clover, Remco, Vikan, Carlisle, Haynes, Strahman, and more.

These products are distributed to dairy, food, beverage processing facilities as well as the pharmaceutical, brewing, and fisheries industries throughout North America.

Many of our products are customized in design due to strict sanitary and hygienic standards, and all are built to stand up to the demands of high production environments. Resourcefulness and quick delivery are important to you, and Harco always provides both.

Check out our large collection of equipment, parts and supplies, including our line of color-coded products available.

**Visit our website today at [www.harcosupply.com](http://www.harcosupply.com)**

# SCOOPS

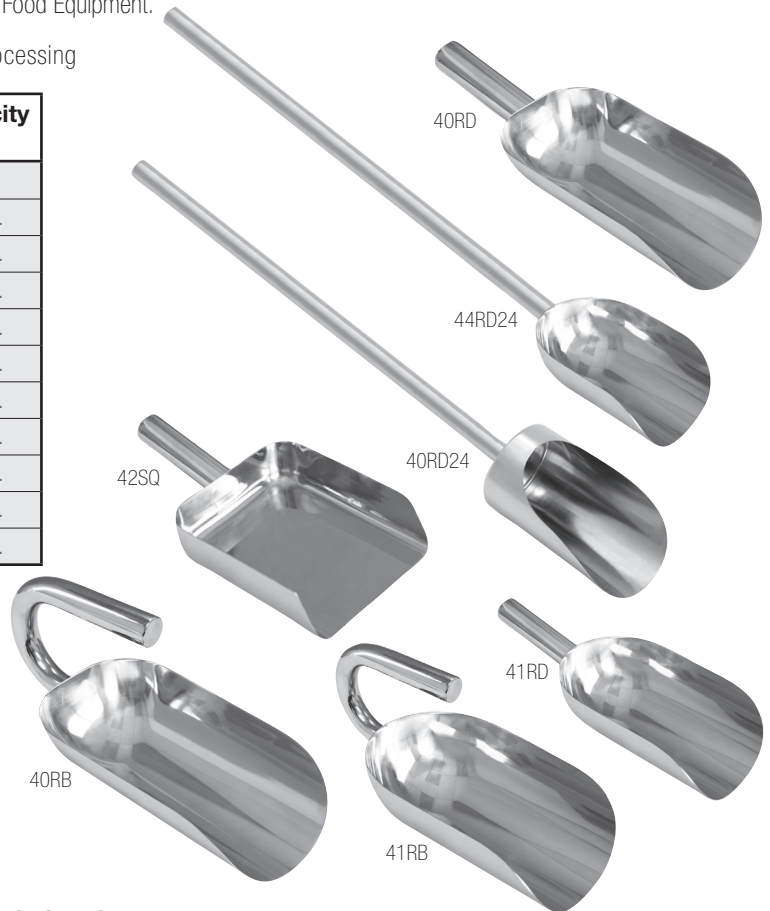
## STAINLESS STEEL PHARMA SCOOPS

Designed for the pharmaceutical industry and ideal for use with powders and granules or any hygienic application. Constructed from heavy-duty type 316 stainless steel that is highly resistant to corrosion. Fully welded to ensure that there are no spaces where any particles can gather. Completely seamless with large radiuses to insure easy cleaning. Certified NSF/ANSI Standard 2 Food Equipment.

**Target Application:** Pharmaceutical, Healthcare and Food Processing

Product No.	Bowl Length x Width	Handle Length	Capacity
43RD	6" x 4"	5"	8 oz.
44RD	7.75" x 5"	5"	16 oz.
40RD	9" x 5"	5"	32 oz.
41RD	9" x 5.5"	5"	50 oz.
45RD	12" x 6"	5"	64 oz.
40RB	9" x 4.875"	6"	32 oz.
41RB	9" x 5.5"	6"	50 oz.
45RB	12" x 6"	6"	64 oz.
42SQ	7.5" x 6.25"	5"	50 oz.
40RD24	9" x 5"	24"	32 oz.
44RD24	7.75" x 5"	24"	16 oz.

Ergonomic handle helps to make usage easier while keeping hands clean. Designed for the pharmaceutical industry and Ideal for use with powders and granules or any hygienic application. Constructed from heavy-duty type 316, stainless steel that is highly resistant to corrosion. Fully welded to ensure that there are no spaces where any particles can gather. Completely seamless, with large radiuses to insure easy cleaning.

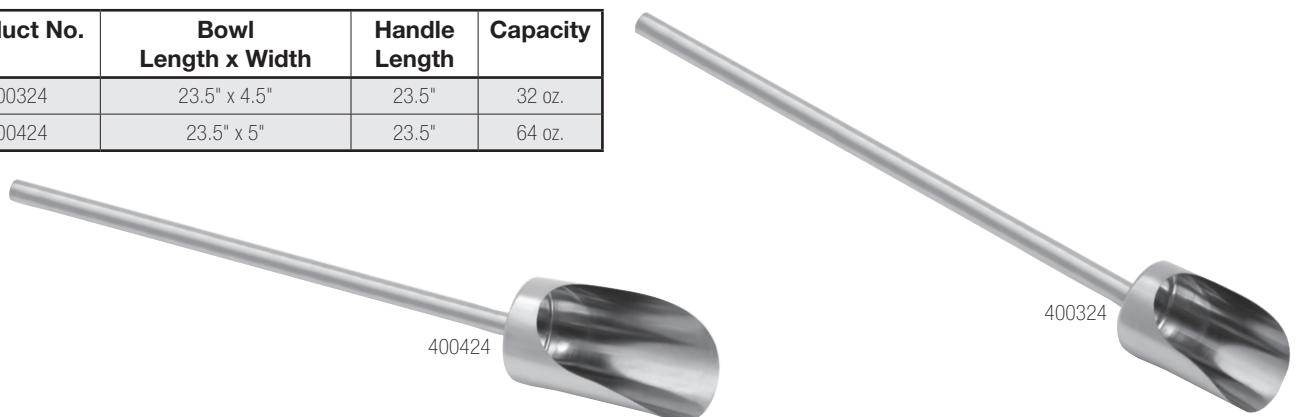


## STAINLESS STEEL INDUSTRIAL SCOOPS

Constructed from heavy duty 18 gauge type 304 stainless steel. Fully welded to ensure that there are no spaces where any particles can gather. Completely seamless with large radiuses that insure easy cleaning. Designed for heavy usage and hygienic applications. Certified NSF/ANSI Standard 2 Food Equipment.

**Target Application:** Food Processing Plants • Healthcare • Material Handling • Industrial Applications

Product No.	Bowl Length x Width	Handle Length	Capacity
400324	23.5" x 4.5"	23.5"	32 oz.
400424	23.5" x 5"	23.5"	64 oz.



# SCOOPS & DIPPERS

## STAINLESS STEEL SANITARY SCOOPS & DIPPERS

Seamless with closed tubular handle. Polished inside and outside. Type 304 stainless steel.

### Stainless Steel Sanitary Scoop Flat Back - Round Bottom



Product No.	Bowl Diameter	Length	Capacity
21-340	2 1/2"	4"	1/2 Pint
21-341	3"	5"	1 Pint
21-342	4"	6 1/2"	1 Quart
21-343	5"	8"	2 Quart
21-344	5 1/2"	9"	4 Quart
21-358	8"	12"	8 Quart

### Stainless Steel Sanitary Scoops Round Back - Round Bottom



Product No.	Bowl Diameter	Length	Capacity
21-345	5 1/4"	8"	2 Quart
21-346	6 1/2"	8 1/2"	4 Quart
21-347	8"	10"	6 Quart

### Stainless Steel Sanitary Dippers - Round Bottom, Jumbo



Product No.	Handle	Capacity	Diameter
21-338	Closed Tubular Handle	2Quart	7 7/8"
21-337	Closed Tubular Handle	4Quart	9 7/8"

### Need Color Coded Scoops?

Request a copy of our Color Coded Catalog or visit <https://www.harcosupply.com/>

### Stainless Steel Long Handle Sanitary Dippers

- Handles can be modified or extended
- Let us know your requirements



Style "A"

Product No.	Handle Length	Capacity	Style
21-302	10"	1oz.	A
21-303	10"	2oz.	A
21-304	13"	4oz.	A
21-306	13"	6oz.	A
21-307	13"	8oz.	A
21-308	15"	12oz.	A
21-309	18"	24oz.	A
21-310	18"	72oz.	A
21-311	24"	1oz.	A
21-312	24"	2oz.	A
21-313	24"	4oz.	A
21-314	24"	6oz.	A
21-315	24"	8oz.	A
21-316	24"	16oz.	C
21-332	24"	32oz.	C



Style "C"

### Stainless Steel Sanitary Sampling Dippers

- All fit thru standard 2" drum bung opening.
- Handles are 28" long.

Product No.	Capacity	Diameter
21-317	10cc	1"
21-319	20cc	1"
21-320	30cc	1"
21-321	2oz.	1 5/16"
21-322	3oz.	1 1/2"
21-323	4oz.	2"



### Stainless Steel Special Bacteriological Sampling Dippers

- All stainless steel with 12" long handles.

Product No.	Capacity
21-339	2ml.
21-334	50ml.



# MEASURES & FUNNELS

## STAINLESS UTILITY STEEL MEASURES - SANITARY



- With stainless steel tubular handle.
- One gallon capacity with 1 quart graduated markings. 7 1/4" diameter, 6 1/8" deep.
- T-304 stainless steel, seamless construction.

Product No.	Capacity	Calibrations
21-162	1 gallon	1 quart

### Need Color Coded Measures?

Request a copy of our Color Coded Catalog or visit <https://www.harcosupply.com/>

## STAINLESS STEEL GRADUATED MEASURES

- Polished inside and outside. Marked off permanently in ounces and cubic centimeters. Seamless, all T-304 stainless steel construction.

Product No. WITH HANDLE	Capacity	Increments
21-163	16oz. - 500 cc	2oz. - 50 cc
21-164	32oz. - 1000 cc	2oz. - 100 cc
21-165	64oz. - 2000 cc	4oz. - 100 cc
21-166	128oz. - 4000 cc	4oz. - 200 cc



Product No. WITHOUT HANDLE	Capacity	Increments
21-168	32oz. - 1000 cc	2oz. - 100 cc

## FUNNELS, STAINLESS STEEL SEAMLESS

- From 3" to our "Big Giant" 12" diameter sizes. Sanitary design, polished inside and outside, vented, with hanging loop.



### Type 304 Stainless Steel

Product No.	Size	Rated Capacity	Plugged Capacity	Diameter	Depth	Spout
21-178	8"	4Qt.	2Qt.	8"	8 3/4"	13/16"
21-179	7"	2Qt.	1Qt.	7"	7 1/4"	13/16"
21-180	6"	1Qt.	22oz.	6"	6 3/8"	1/2"
21-181	5"	20oz.	13oz.	5"	5 3/8"	1/2"
21-182	4"	10oz.	6oz.	4"	4 3/8"	1/2"
21-183	3"	5oz.	2 1/4oz.	3"	3 1/4"	1/2"

## STAINLESS STEEL FUNNEL, HEAVY DUTY SEAMLESS

- Welded heavy duty 12" deep stainless steel funnel.
- 12" top diameter with large 2" bottom opening. Can provide with fittings at bottom. Specify size, length and type of outlet.
- This T-304 stainless steel and also available in T-316 stainless.

Product No.	Size
21-215	12"



# CONTAINERS

## Polished Stainless Steel Containers

### STAINLESS STEEL STACKING BATCH CANS



- Sanitary, Type 304 Stainless Steel Seamless Construction.
- Polished - no crevices. With slip-over covers.
- Designed for stacking on top of one another.
- Meets heavy duty requirements

\* Available in Type 316 Stainless Steel. Welded heavier gauge also available.

Product No.	Capacity	Gauge	Inside Diameter	Depth
21-102	2 Gallon	22	8 5/16"	8 3/4"
21-103	3 Gallon*	20	10 5/16"	8 7/8"
21-104	4 Gallon	20	12 3/16"	9"
21-105	5 Gallon	20	12 3/16"	11"
21-106	6 Gallon*	20	12 3/16"	13"
21-132	9.5 Gallon	-	14"	15"
21-133	14 Gallon	-	16"	17"

### STAINLESS STEEL STORAGE CONTAINERS



- Furnished with slip-on covers, polished, seamless construction.
- Bale handles available.

Product No.	Capacity Qrts	Inside Diameter	Depth
21-101	1	4 1/8"	5 3/4"
21-107	2	4 7/8"	6 3/4"
21-111	3	6 1/8"	7 1/4"
21-109	4	6 1/2"	7 5/8"
21-113	6	7 1/4"	8 5/8"
21-108	8	8"	9 3/4"
21-112	12	9"	10 7/8"

### STAINLESS STEEL JARS WITH SLIP-OVER COVERS



- Excellent storage containers.
- Seamless construction.
- Polished inside and outside.

Product No.	Capacity Qrts	Inside Diameter	Depth
21-114	1/2	4 1/8"	2 5/8"
21-116	1	4 1/8"	5 1/4"
21-117	2	4 7/8"	6 7/8"
21-118	3	6 1/8"	7 1/4"
21-119	4	7"	7 3/8"
21-121	6	7 1/2"	9"
21-122	8	8 1/4"	10"

### STAINLESS STEEL CONTAINER WITH LATCH CLIP COVER, GASKET



- T-316 stainless steel, seamless construction, polished, with handles.
- Tight latch down cover with silicone rubber gasket.
- May also be available in T-304 stainless steel.

Product No.	Capacity
21-410	2 gal
21-412	5 gal
21-414	10 gal
21-416	15 gal
21-418	20 gal
21-420	25 gal

### STAINLESS STEEL BEAKERS



- These beakers have a pouring lip but no handle. T-304 stainless steel.

Product No.	Capacity
21-170	125 cc capacity
21-172	250 cc capacity
21-173	600 cc capacity
21-174	1200 cc capacity
21-175	2000 cc capacity
21-176	3000 cc capacity
21-177	4000 cc capacity

# STAINLESS STEEL SANITARY PAILS

## UTILITY PAIL

- Seamless construction. Polished to a sanitary finish.

Product No. TYPE 304	Product No. TYPE 316	Capacity
H1009	n/a	9 Quart
H1013	n/a	13 Quart
H1016	HS-1016	16 Quart
H1020	n/a	20 Quart



## PAIL WITH TILTING HANDLE

- Polished to a sanitary finish.

Product No. TYPE 304	Product No. TYPE 316	Capacity
H1113	n/a	13 Quart
H1116	HS-1116	16 Quart
H1120	n/a	20 Quart
H1120X	n/a	20 Quart with bottom chime



## PAIL WITH CHIME

- Polished inside and out to a sanitary finish.

Product No. TYPE 304	Product No. TYPE 316	Capacity
H1013X	n/a	13 Quart
H1016X	n/a	16 Quart
H1020X	HS-1020X	20 Quart



### Need Color Coded Pails?

Request a copy of our Color Coded Catalog or visit <https://www.harcosupply.com/>



## COVERS

- Dome shaped covers with clip-type handles make it easy to keep covers with the pails when not in use. Covers will hang on pail rim. Flat surface of cover lip fits on pail rim to form a seal. Available in 18-8 type 304 Stainless Steel, polished to a lustrous, satin finish.

Product No. TYPE 304	Fits
H1509	9 Quart
H1513	13 Quart
H1516	16 Quart
H1520	20 Quart

# SANITARY SHOVELS & CHEESE FORKS

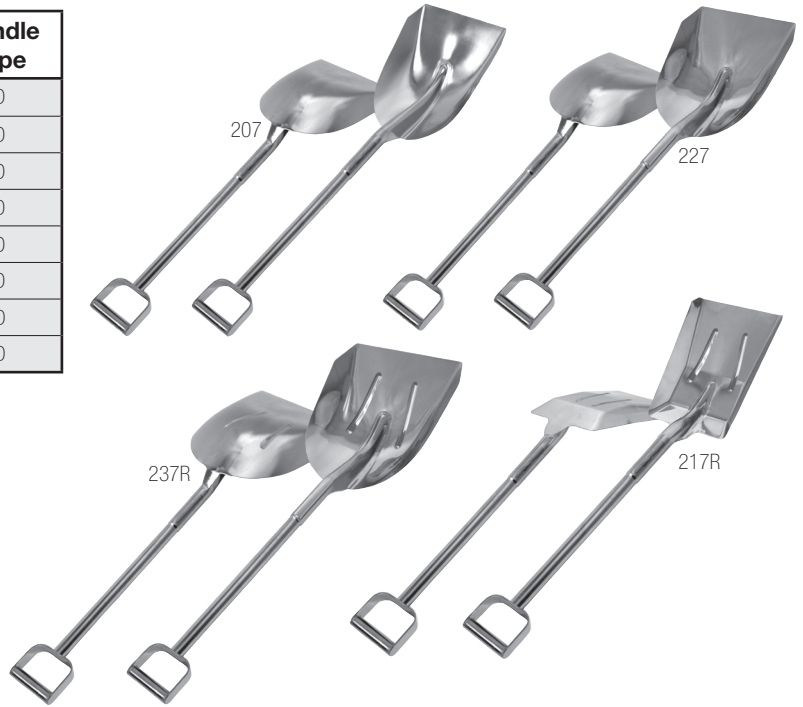
## STAINLESS STEEL SHOVELS

Shovels are constructed from heavy duty stainless steel with an polished finish to enhance corrosion resistance, improve surface finish and ease of cleaning. Fully welded to ensure that there are no spaces where any particles can gather. Certified NSF/ANSI Standard 2 Food Equipment.

**Target Application:** Ideal for Meat, Dairy, Seafood, Poultry, Commercial Fishing, Material Handling, Agriculture, Chemical and Industrial.

Product No.	Blade Size Length x Width	Overall Length	Handle Type
207	14" x 10.5"	39"	D
207R*	14" x 10.5"	39"	D
227	15.5" x 11.5"	40"	D
227R*	15.5" x 11.5"	40"	D
237	17" x 13.75"	40"	D
237R*	17" x 13.75"	40"	D
217	12.5" x 9.5"	40"	D
217R*	12.5" x 9.5"	40"	D

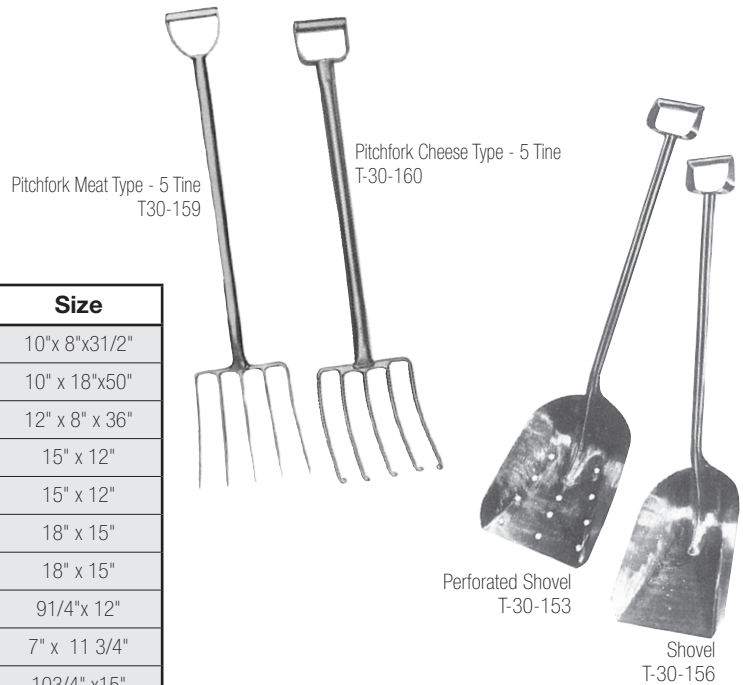
\*R - Reinforced. Others are Standard.



**Need Color Coded Shovels/Forks?**  
 Request a copy of our Color Coded Catalog or visit  
<https://www.harcosupply.com/color-coded-brushes-products/>

## ASSORTED - SHOVELS, PITCHFORKS & CHEESE FORKS

Product No.	Description
T-30-160	Pitchfork Cheese Type - 5 Tine
T-30-158	Pitchfork Meat Type - 4 Tine
T-30-159	Pitchfork Meat Type - 5 Tine
T-30-153	Perforated Shovel - 10-3/4"x 15"
T-30-156	Shovel - 10-3/4"x 15"



Product No.	Description	Size
19-80-2S S	Strainer bottom, stainless steel	10"x 8"x31/2"
19-94	Hand stirrer or ditching shovel, all stainless steel	10" x 18"x50"
19-95	Cottage cheese p addle, all stainless steel	12" x 8" x 36"
32-100P	Shovel, aluminum, perforated bottom (Not Shown)	15" x 12"
32-100	No. 10 shovel, all aluminum	15" x 12"
32-101R	Shovel, stainless steel, with d-handle (Not shown)	18" x 15"
32-101RP	Shovel, stainless steel, perforated, with d-handle	18" x 15"
T30-154	Square point shovel	91/4"x 12"
T30-155	Spade	7" x 11 3/4"
T-30-157	Scoop wooden handle (Not Sanitary)	103/4" x15"

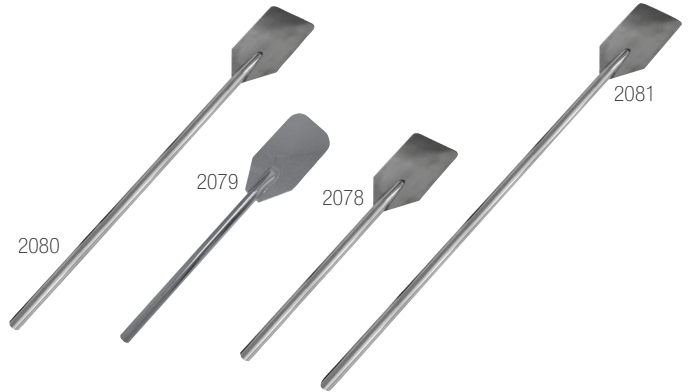
# SANITARY PADDLES, RAKES AND TRIERS

## STAINLESS STEEL PADDLES

Paddles are constructed from heavy duty stainless steel with an polished finish to enhance corrosion resistance, improve surface finish and ease of cleaning. Fully welded to ensure that there are no spaces where any particles can gather. Certified NSF/ANSI Standard 2 Food Equipment.

**Target Application:** Ideal for Meat, Dairy, Seafood, Poultry, Commercial Fishing, Material Handling, Agriculture, Chemical and Industrial.

Product No.	Blade Size Length x Width	Overall Length	Handle Type
2078	4.75" x 9.75"	36"	Straight Bar
2079	4.75" x 9.75"	42"	Straight Bar
2080	4.75" x 9.75"	48"	Straight Bar
2081	4.75" x 9.75"	60"	Straight Bar



## STAINLESS STEEL SANITARY PERFORATED MIXING PADDLES

- **Heavy duty:** 1" tubing, 6" x 9" blade of 14 gauge, T-304 stainless steel, with large perforations for easier mixing.

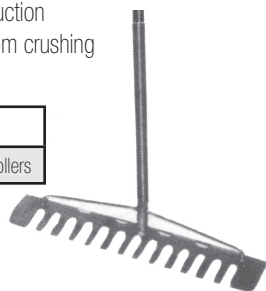


Product No.	Description	Handle Length
T-19-382	HD Mix Paddle w/holes	2'
T-19-383	HD Mix Paddle w/holes	3'
T-19-384	HD Mix Paddle w/holes	4'
T-19-385	HD Mix Paddle w/holes	5'

## STAINLESS STEEL CURD RAKE

- All welded and polished stainless steel construction is completely sanitary. Rollers prevent rake from crushing the soft curd.

Product No.	Description
32-77N (shown)	Stainless Steel Curd Rake, less rollers



## CHEESE KNIVES

- Made of the best quality steel.

Product No.	Description
32-47-12	Cheese knife, stainless steel 12" blade, cocobala handle.
32-47S-12	Cheese knife, stainless steel 12" blade, stainless steel handle.
32-50	Twin curd cutting knife. All stainless steel construction. Available with 2 or 3 blades.

## VAT SQUEEGEE

- All stainless steel with removable rubber blades. Replacement rubber.

Product No.
B845 H-2
B43 15W-2



## ALL STAINLESS TRIERS

- Suitable for cheese, butter, lard and soap.

Product No.	Description
4392011	Overall Length: 16"; Blade Length: 12.625"
4392010	Overall Length: 13"; Blade Length: 9.75"
4392005	Overall Length: 8.75"; Blade Length: 6.125"
4392002	Overall Length: 8.1875"; Blade Length: 5.5"
4392000	Overall Length: 7.5"; Blade Length: 4.0625"



# STAINLESS STEEL CANS

## STAINLESS STEEL CANS

### Dispenser Can (Cup Type) with Cover

Product No.	Capacity	Height Inches	Outside Diameter	Neck Opening	Approx. Weight lbs.
Can-Disc-3	3	15	10.5	7	11
Can-Disc-5	5	20.75	10.5	7	13



### Cheese Can

- Perfect for pilot plant and laboratory production runs. These high-quality stainless steel vessels feature extra-strong comfortable handles and a reinforced chime for years of use. Sanitary friction-fit covers. Choice of three sizes; all sizes have 13-1/8" diameter. 304 stainless steel.

Product No.	Capacity	Height Inches	Outside Diameter	Neck Opening	Approx. Weight lbs.
Can-Chee-6.25	6.25	13.5	13.125	13	17
Can-Chee-9.5	9.5	19	13.125	13	20
Can-Chee-12.5	12.5	25	13.125	13	25



### Regular Can

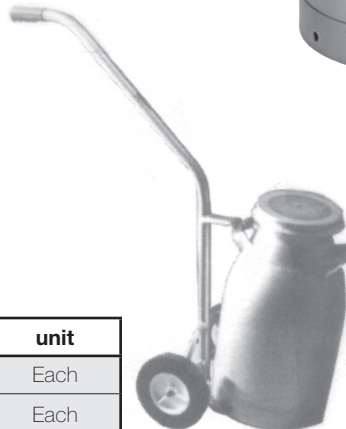
- If you need an enclosed sanitary 10-gallon container for any purpose — try this milk can. Umbrella cover avoids outside contamination and is friction-fitted into the can. Cover also accepts security seal or tag. Reinforced chime for extra long wear. Strong, comfortable handles. 23-3/4" H x 13-1/8" diameter. Neck 7" diameter. 304 stainless steel.

Product No.	Capacity	Height Inches	Outside Diameter	Neck Opening	Approx. Weight lbs.
Can-Reg-5	5	19.75	10.5	7	12
Can-Reg-10	10	23.75	13.125	7	19



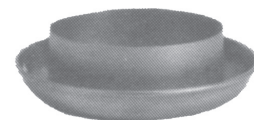
### Milk Can Cart

This heavy-duty steel cart handles one 10-gallon milk can. All-welded construction for long use; self-standing for convenience. Big 8" semi-pneumatic rubber tires. Plastic handle grip.



Product No.	Description	wt/unit	unit
588-6020	#75 cart	17.7#	Each
588-6025	wheel only for 10 gallon can	2.0#	Each

### Cover 7" Diameter



# CHEESE PLANT TOOLS & ACCESSORIES

## STAINLESS STEEL CURD PAIL

Sanitary flat-sided 14 qt. pail. 12" wide. Can scoop from any flat bottom vessel. Bail and side handle provide added control when scooping or pouring.

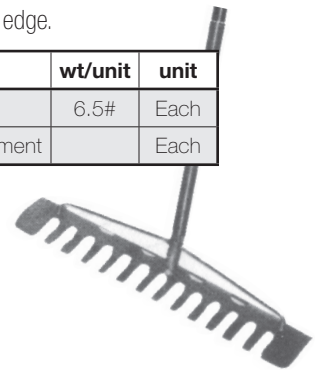
Product No.	Description	wt/unit	unit
162-2001	SS Curd pail	7.0#	Each



## STAINLESS STEEL CURD RAKE

Either with or without rollers on the bottom edge.

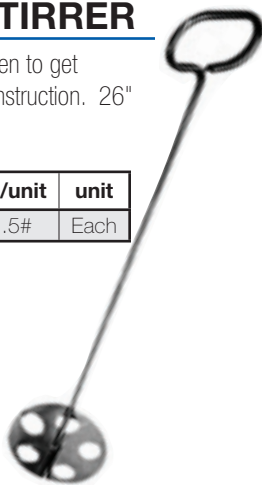
Product No.	Description	wt/unit	unit
32-77N	without rollers	6.5#	Each
	Nylon rollers only, replacement		Each



## PERFORATED MILK STIRRER

Used to agitate contents of small vessels, often to get representative samples. All stainless steel construction. 26" long x 7 5/16" dia. Loop handle.

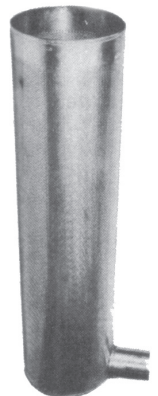
Product No.	Description	wt/unit	unit
726-6075	Stainless steel stirrer	1.5#	Each



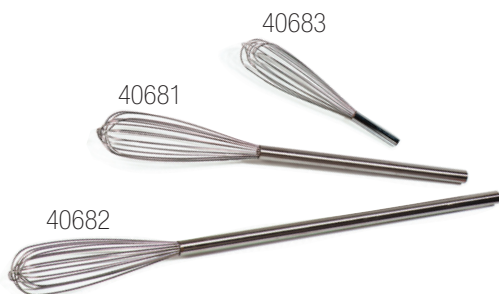
## SANITARY S.S. VAT STRAINER

Cylindrical strainer is 29 5/8" h x 7 5/16" dia. Spout fits 3" outlet.

Product No.	Description	wt/unit	unit
	Vat strainer	3.5#	Each



## FRENCH WHIPS



- Light and balanced for perfect mixing, stirring, and whipping of batters, sauces, and souffles
- High quality chrome-plated brass handles with high quality Stainless Steel spring wire construction
- **Color:** designated by (00)

Product No.	Description
40683-00	18" Stainless Steel French Whip
40681-00	36" Stainless Steel French Whip
40682-00	48" Stainless Steel French Whip

Harco partners with leading manufacturers in the industry to bring you an innovative range of sanitary and hygienic processing equipment and supplies. With experience in design, manufacturing and support, our partners are selected for their quality, reliability, and advanced products.

