



DISTRIBUTED BY

HARCO
ENTERPRISES LTD.

1-800-361-5361

Alfa Laval Base 10

Gasketed plate heat exchanger for hygienic applications

Introduction

Alfa Laval BaseLine is a range of gasketed plate-and-frame heat exchangers used in dairy, food, beverage and other hygienic applications requiring thermally efficient performance. A large range of plate and gasket types is available.

Applications

- Biotech and Pharmaceutical
- Food, Dairy and Beverages
- Home and Personal care

Benefits

- High energy efficiency – low operating cost
- Flexible configuration – heat transfer area can be modified
- Easy to install – compact design
- High serviceability – easy to open for inspection and cleaning and easy to clean by CIP
- Access to Alfa Laval's global service network

Features

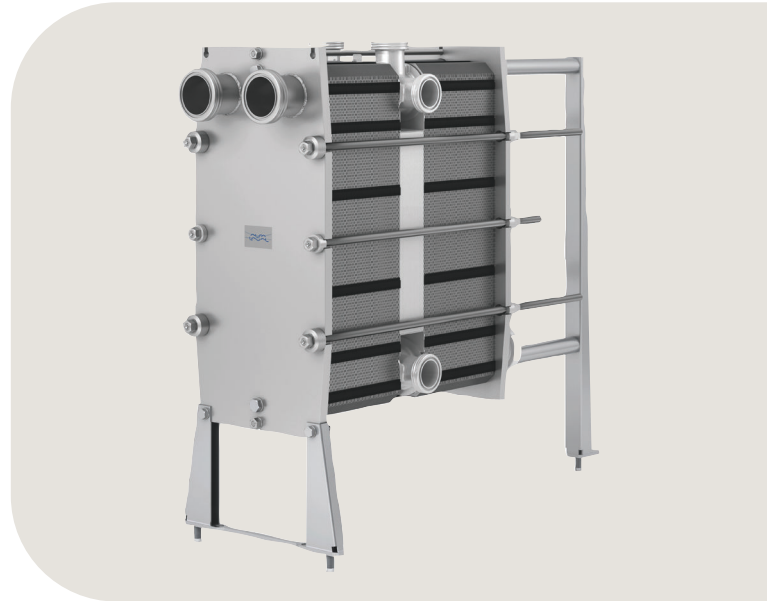
Every detail is carefully designed to ensure thermal efficiency, optimal performance and easy cleaning. Selection of available features, depending on configuration some features may not be applicable:



- Corner guided alignment system
- Chocolate pattern distribution area
- Clip-on gasket
- Leak chamber
- Bearing boxes
- Fixed bolt head
- Key hole bolt opening
- Lock washer
- Adjustable feet

Alfa Laval 360° Service Portfolio

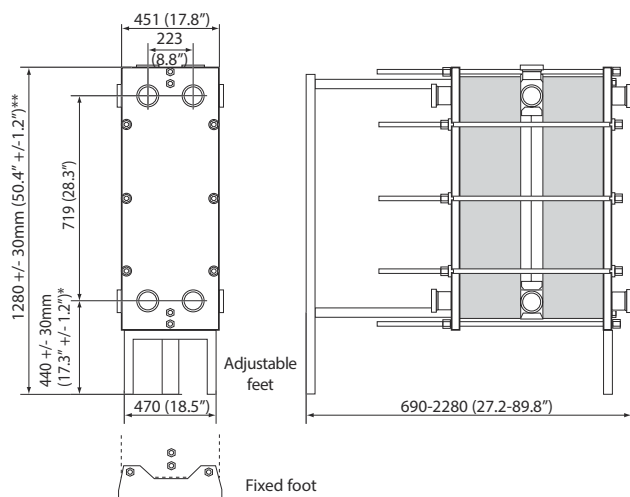
Our extensive service offering ensure top performance from your Alfa Laval equipment throughout its life cycle. The Alfa Laval 360 Service Portfolio include installation services, cleaning and repair as well as spare parts, technical documentation and trouble shooting. We also offer replacement, retrofit, integrity testing, monitoring and much more.



For information about our complete service offering and how to contact us - please visit www.alfalaval.com/service.

Dimensional drawing

Measurements mm (inches)



* = with fixed feet 214

** with fixed feet 1054

Technical data

Plates	Type	Free channel, mm (inches)
B	Single plate	2.6 (0.10)
M	Single plate	4.0 (0.16)

Materials

Heat transfer plates	304/304L, 316/316L, 254 Ti
Field gaskets	NBR, EPDM, FKM
Connections	Acid proof stainless steel
Frame and pressure plate	Solid stainless steel, clad stainless steel or surface coated

Other materials may be available on request.

The plate heat exchanger can be manufactured according to 3A certification.

The gaskets are produced in compliance with the regulations of FDA.

Operational data

Frame type	Max. design pressure barg (psig)	Max. design temperature °C (°F)
RM, pvcALS	10.0 (145)	160 (320)
RM, PED	10.0 (145)	160 (320)

Extended pressure and temperature rating may be available on request.

Connections

DIN, SMS, Tri-CLAMP, BS/RJT and IDF/ISO male parts.

General remarks for technical information

- The global offering presented in this leaflet may not be available for all regions
- All combinations may not be configurable

This document and its contents are subject to copyrights and other intellectual property rights owned by Alfa Laval AB (publ) or any of its affiliates (jointly "Alfa Laval"). No part of this document may be copied, re-produced or transmitted in any form or by any means, or for any purpose, without Alfa Laval's prior express written permission. Information and services provided in this document are made as a benefit and service to the user, and no representations or warranties are made about the accuracy or suitability of this information and these services for any purpose. All rights are reserved.

How to contact Alfa Laval

Up-to-date Alfa Laval contact details for all countries are always available on our website at www.alfalaval.com